

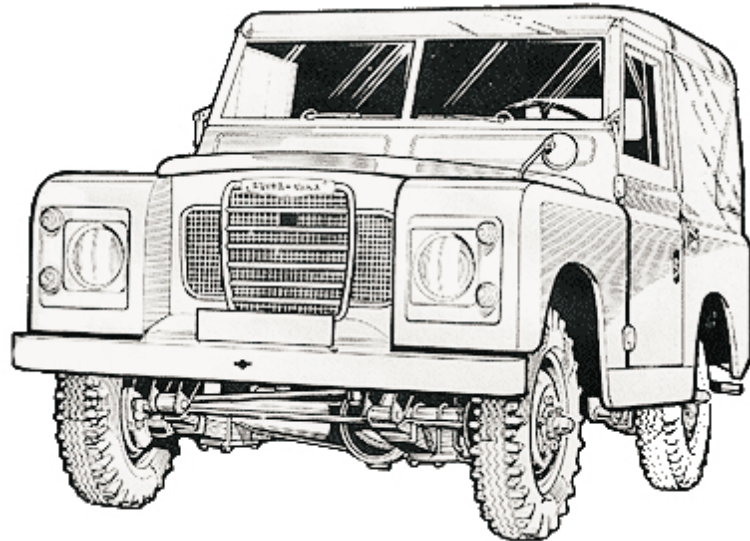


# Series Land Rover

*Click on a Category below*

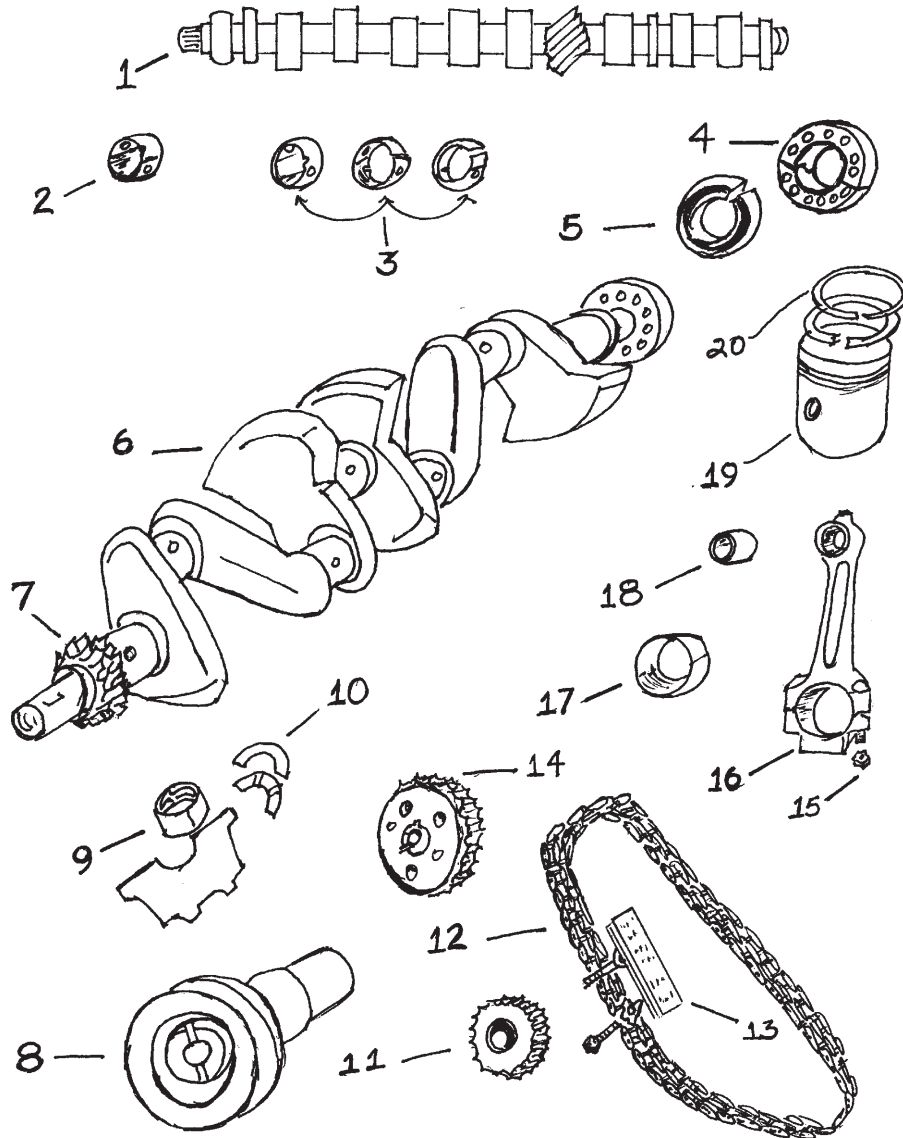
## *Parts Guide*

- Internal Engine Parts
- Cylinder Head Parts
- Lower Engine Parts
- Clutch
- Gearbox - Series IIA
- Gearbox - Series III
- Transfer Case
- Cooling System
- Fuel System
- Exhaust System
- Steering
- Brake Drums & Friction
- Brake & Clutch Hydraulics
- Suspension & Wheels
- Front Axle
- Rear Axle
- Chassis Components
- Body Components
- Electrical System



## INTERNAL ENGINE PARTS

All items fit either Petrol or Diesel unless noted



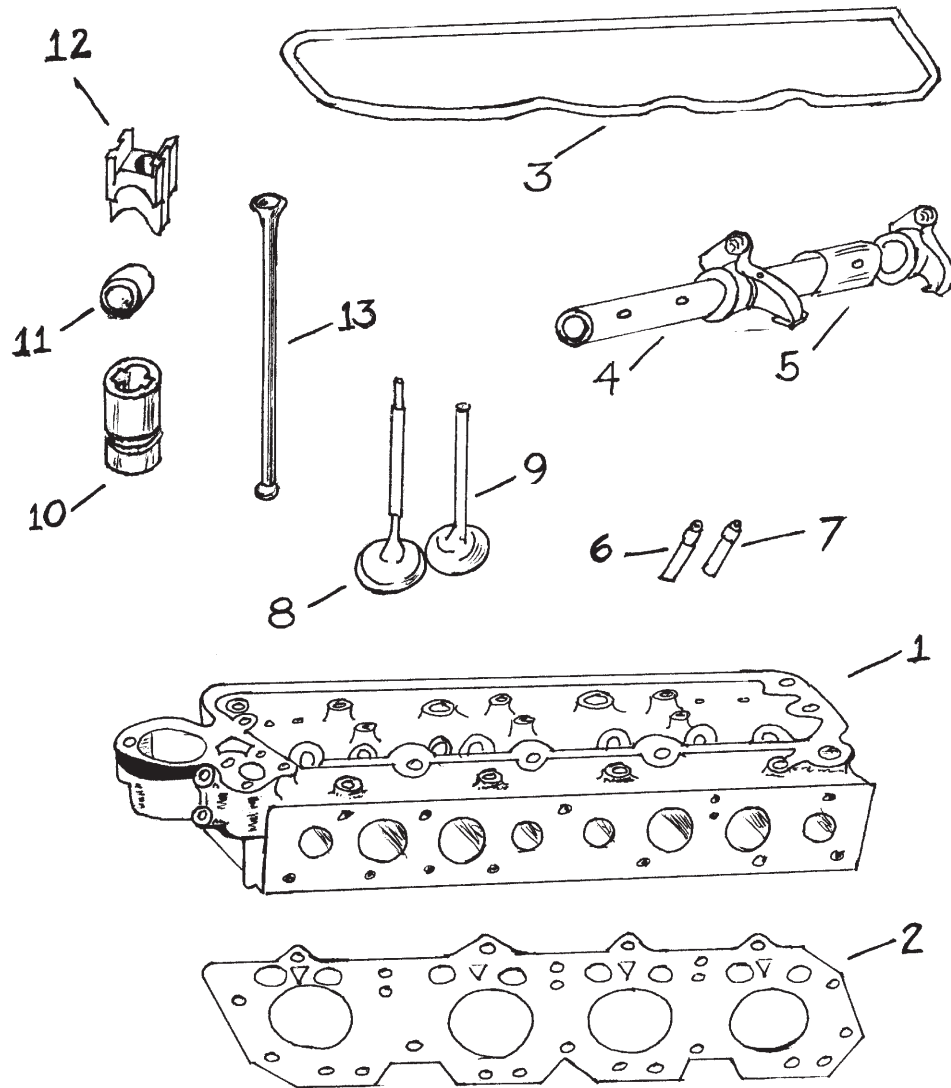
Reference	Description	Part No.
1.	Camshaft (Petrol)	247709
-	Camshaft, Stage II	ETC7128
-	Camshaft (Diesel)	274711
2.	Front Camshaft Bearing (one needed)	90/519054
3.	Center and Rear Bearings (three needed)	90/519055
4.	Rear Crankshaft Seal Retainers (two needed)	523240
5.	Rear Crankshaft Seal	542492
6.	Crankshaft	527167
7.	Front Crankshaft Gear	568333
-	Key for Front Gear	235770
8.	Vibration Damper and Pulley	564375
-	Starter Dog	503665
-	Locker for Starter Dog	247771
9.	Main Bearing (Set)	Std. RTC1729
-		(.010) RTC1729/10
-		(.020) RTC1729/20
10.	Crankshaft Thrust Washers (Sold in Pairs)	Std. 538130
-		(.0025 o/s) 538131
-		(.005 o/s) 538132
-		(.0075 o/s) 538133
-		(.010 o/s) 538134
11.	Timing Chain Idler Wheel	236067
12.	Timing Chain	504375
13.	Vibration Damper for Timing Chain	275234
14.	Camshaft Timing Gear	(Petrol) 568474
15.	Nut for Connecting Rod Bolt	(8 needed) 509751
-	Connecting Rod Bolt	(8 needed) 519440
16.	Connecting Rod	(Petrol) 527164
-	(Includes: Bushing, Rod Bolts, Nuts)	(Diesel) 527169
17.	Connecting Rod Bearing Set	Std. RTC1730
-		(.010) RTC1730/10
-		(.020) RTC1730/20
18.	Wrist Pin Bushing	(Petrol) 528004
-	Wrist Pin Bushing	(Diesel) 247583
19.	Piston Assembly	Std. (Petrol) 608255
-	(Includes: Rings & Wrist Pin)	(.020) (Petrol) 597501
-		(.040) (Petrol) 597503
-		Std. (Diesel) 564229
-		(.020) (Diesel) 564231
-		(.040) (Diesel) 564233
20.	Piston Ring Set	Std. (Petrol) LRM000
-		(.010) (Petrol) LRM001
-		(.020) (Petrol) LRM002
-		(.030) (Petrol) LRM003
-		(.040) (Petrol) LRM004
-		Std. (Diesel) LRM005
-		(.010) (Diesel) LRM006
-		(.020) (Diesel) LRM007
-		(.030) (Diesel) LRM008
-		(.040) (Diesel) LRM009
-	Engine Overhaul Gasket Set	(Petrol) 608124*
-	Engine Overhaul Gasket Set	(Diesel) 525520*
*Overhaul Gasket Sets do not contain Crankshaft Seals.		
-	New Short Block Assembly 2¼ Liter Petrol	LRM017

802-885-6660



Fax 802-885-6662

**CYLINDER HEAD PARTS**



Reference	Description	Part No.
1.	Cylinder Head , Bare (new) . . . . .(Petrol)	598089
1.	Cylinder Head Reconditioned . . . . .(Petrol)	598089R*
2.	Cylinder Head Gasket . . . . .(Petrol)	520039
3.	Valve Cover Gasket . . . . .(Petrol)	274173
-	Valve Cover Gasket . . . . .(Diesel)	GEG452
4.	Rocker Shaft . . . . .(Petrol)	554070
-	Rocker Shaft . . . . .(Diesel)	554073
5.	Rocker Arm Bushing . . . . .(8 needed) . . . . .(Petrol)	247614
-	Rocker Arm Bushing Inlet . . . . .(4 needed) . . . . .(Diesel)	247737
-	Rocker Arm Bushing Exhaust . . . . .(4 needed) . . . . .(Diesel)	247738
6.	Valve Intake Guide . . . . .(4 needed) . . . . .(Petrol)	605759**
-	Valve Intake Guide . . . . .(4 needed) . . . . .(Diesel)	605482
7.	Exhaust Guide . . . . .(4 needed) . . . . .(Petrol)	605760**
-	Exhaust Guide . . . . .(4 needed) . . . . .(Diesel)	605483
8.	Inlet Valve . . . . .(4 needed) . . . . .(Petrol)	277593
-	Inlet Valve . . . . .(4 needed) . . . . .(Diesel)	527240
9.	Exhaust Valve . . . . .(4 needed) . . . . .(Petrol)	557967***
-	Exhaust Valve . . . . .(4 needed) . . . . .(Diesel)	550198***
-	Valve Spring Inlet or Exhaust . . . . .(8 needed)	568550
-	Valve Spring Keeper . . . . .(16 needed)	268293
10.	Tappet Guide . . . . .(8 needed)	502473
-	Screw for Tappet Guide . . . . .(8 needed)	507025
11.	Roller . . . . .(8 needed)	90/517429
12.	Lifter . . . . .(8 needed)	507026
-	Complete Assembly (Lifter, Roller, Tappet, Guide, and Screw.)	507829
13.	Push Rod . . . . .(8 needed) . . . . .(Petrol)	546798
-	Push Rod . . . . .(8 needed) . . . . .(Diesel)	546799

**MISCELLANEOUS**

-	Tappet Adjusting Screw . . . . .	506814
-	Lock Nut for Above . . . . .	254881
-	Valve Spring Cup . . . . .	268292
-	Valve Grind Head Gasket Set . . . . .(Petrol)	GEG162
-	Valve Grind Head Gasket Set . . . . .(Diesel)	GEG1200
-	Inlet Valve Guide Seal . . . . .	554727
-	Exhaust Valve Guide Seal . . . . .	554728
-	Coolant temperature sender unit . . . . .	560794

\* Includes Stellite valves and hardened seats, unleaded ready

\*\* Silicone Bronze Guide with Umbrella Type Seal

\*\*\* Stellite Coated Valve

Above Items fit either Petrol or Diesel unless noted

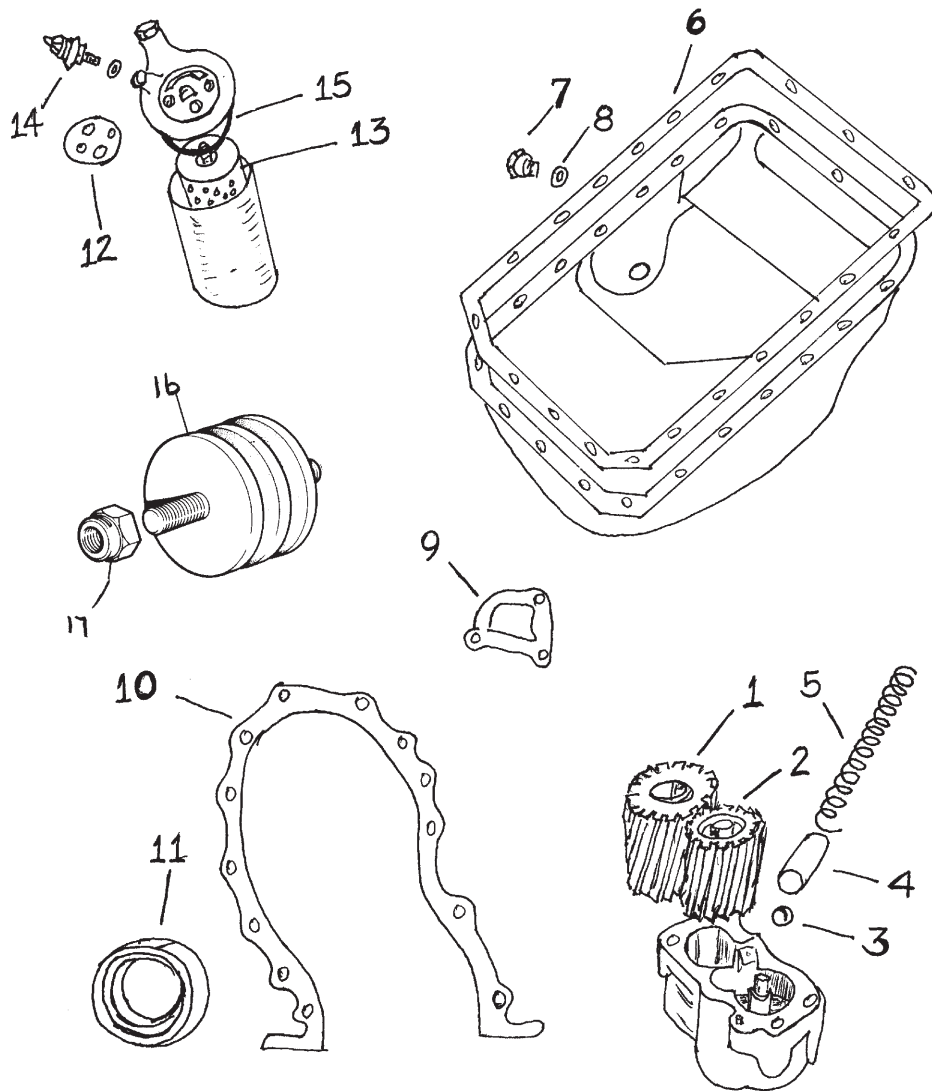
802-885-6660



Fax 802-885-6662

© 1987-1999 D.A.P. Enterprises Inc.

Manufacturer's numbers used for reference only



## MISCELLANEOUS LOWER ENGINE PARTS

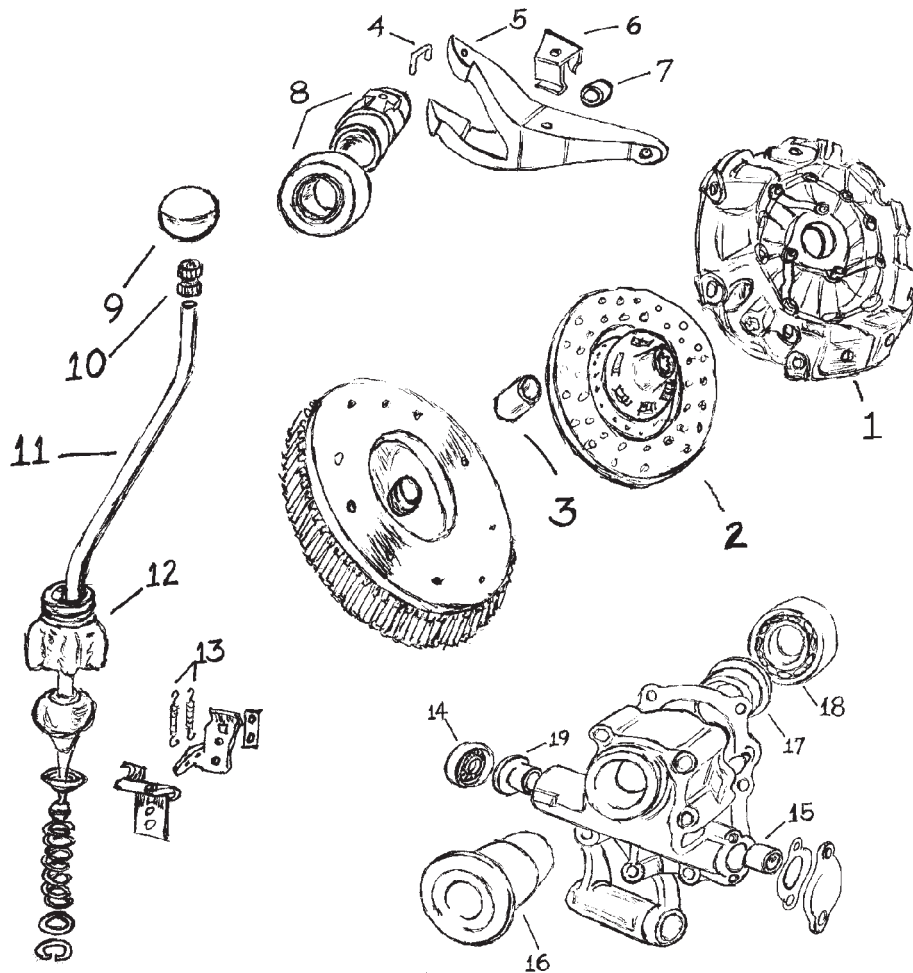
<u>Reference</u>	<u>Description</u>	<u>Part No.</u>
-	Oil Pump Assembly Complete .....	.513640
1.	Oil Pump Gear, Driver .....	.240555
2.	Oil Pump Gear, Idler (Aluminum) .....	.278109
3.	Steel Ball .....	.003748
4.	Plunger .....	.273711
5.	Oil Pressure Relief Spring .....	.564456
6.	Oil Pan Gasket .....	.546841
7.	Drain Plug .....	.536577
8.	Gasket for Drain Plug .....	.243959
9.	Gasket on Front Cover for Water Outlet .....	.538038
10.	Front Timing Cover Gasket .....	.538039
11.	Front Timing Cover Seal .....	.213744
12.	Gasket, Filter Housing to Block .....	.598354
13.	Oil Filter 5" Long O' Ring Included .....	.541403
-	Oil Filter 7" Long O' Ring Included .....	.GFE144
-	Oil Filter 6 Cylinder .....	.GFE111
14.	Oil Pressure Switch .....	(For idiot light) .90/519864
-	Braided Steel Oil Pressure Line .....	(for Dual Guage) .279785
15.	O' Ring for Oil Filter .....	.272539
16.	Engine Mount .....	(Front) .526777
-	Engine Mount .....	(Rear) .272191
17.	Nut for Mount .....	(2 needed) .GHF0233

802-885-6660



Fax 802-885-6662

**CLUTCH**



<u>Reference</u>	<u>Description</u>	<u>Part No.</u>
1.	Pressure Plate (9 1/2") . . . . .(All IIA)	<b>.540700*</b>
-	Pressure Plate (9 1/2") . . . . .(Series III)	<b>GCC181</b>
2.	Clutch Disc (9 1/2") . . . . .(All Models)	<b>GCP129*</b>
3.	Pilot Bushing . . . . .	<b>008566</b>
4.	Clip . . . . .(Series III)	<b>.576203</b>
5.	T/O Arm . . . . .(Series III)	<b>.576137</b>
6.	Clip . . . . .(Series III)	<b>.571163</b>
7.	Insert . . . . .(Series III)	<b>.571161</b>
8.	T/O Bearing . . . . .(Series III)	<b>GRB223</b>
9.	Knob . . . . .(Series III)	<b>.576316</b>
10.	Ring . . . . .(Series III)	<b>.571661</b>
11.	Gear Shift Lever . . . . .(Series III)	<b>.571667**</b>
12.	Gear Lever Housing . . . . .	<b>219714</b>
-	Locating Screw for Housing . . . . .	<b>90/507447</b>
13.	Reverse Lock Out Springs . . . . .	<b>514650</b>
14.	Seal for Housing . . . . .(Series IIA)	<b>90/214787</b>
15.	Bushing for Housing . . . . .(Series IIA)	<b>214793</b>
16.	Sleeve for Housing . . . . .(Series IIA)	<b>231074</b>
17.	Bushing for Housing . . . . .(Series IIA)	<b>231075</b>
18.	T/O Bearing . . . . .(Series IIA)	<b>GHB130</b>
19.	Bushing . . . . .	<b>214794</b>

**MISCELLANEOUS**

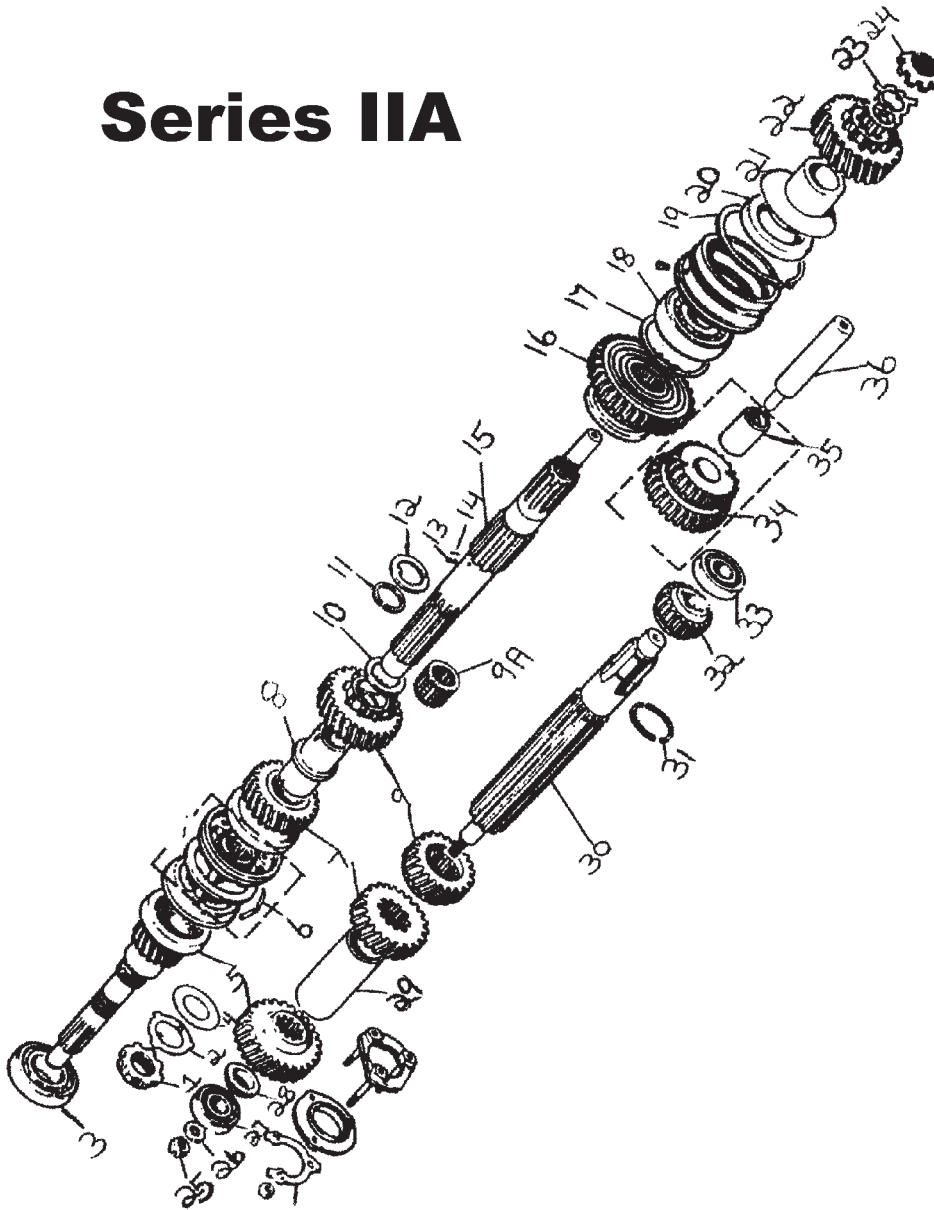
- Shift Lever Boot . . . . .**301437**
- Boot for Low Range Lever . . . . .**338871**
- Clutch Alignment Tool . . . . .**LRA065**

\* 9 1/2" clutch and pressure plate are a direct Replacement for the early 9" units. Both must be changed together.

\*\* Gear shift lever for early IIA's with the threaded knob is no longer available. Series III Gear Shift Lever must be used with Knob (#9) and Clip (#10)



# Series IIA



## GEARBOX - SERIES IIA

Reference	Description	Part No.
-	Rebuilt Gearbox Assembly, Series IIA	LRG000
1.	Nut for Primary Pinion	213416
2.	Locker	RTC1963
3.	Primary Pinion Bearing	055714
4.	Spacer	RTC1954
5.	Primary Pinion and Constant Gear . . . (Suf. A & B)	*NLS*
-	Primary Pinion and Constant Gear . . . (Suf. C & on)	542231
6.	Synchronizer 3rd & 4th Gear	FRC1758
7.	3rd Speed Gear Set	245767
8.	Bronze Distance Sleeve	571218
9.	2nd Speed Gear Set . . . . . (Suffix A-C)	245766
-	2nd Speed Gear Set . . . . . (Suffix D & on)	600916
9A.	Roller Bearing	006397
10.	2nd Gear Thrust Washer . . . . . 0.125"	267572
-	2nd Gear Thrust Washer . . . . . 0.128"	267573
-	2nd Gear Thrust Washer . . . . . 0.130"	267574
-	2nd Gear Thrust Washer . . . . . 0.135"	267575
11.	Lock Ring	RTC1957
12.	Thrust Washer . . . . . 0.125"	RTC1962
-	Thrust Washer . . . . . 0.128"	050702
-	Thrust Washer . . . . . 0.130"	050703
-	Thrust Washer . . . . . 0.135"	231737
13.	Peg for Mainshaft	RTC1979
14.	Peg for Mainshaft	006405
15.	Mainshaft	264250
16.	First Speed Mainshaft Gear . . . . . (Suffix A & B)	501617
-	First Speed Mainshaft Gear . . . . . (Suffix C & on)	511205
17.	Circlip	009960
18.	Rear Mainshaft Bearing	001645
19.	Circlip	RTC1984
20.	Mainshaft Oil Seal	236305
21.	Oil Slinger	232415
22.	Mainshaft Gear	218244
23.	Locker	217476
24.	Nut	217477
25.	Nut . . . . . (Suffix A)	RTC1983
-	Nut . . . . . (Suffix B & on)	528691
26.	Washer . . . . . (Suffix A)	008185
-	Washer . . . . . (Suffix B & on)	528692
27.	Front Layshaft Bearing . . . . . (Suffix A)	576207
-	Front Layshaft Bearing . . . . . (Suffix B & on)	528701
28.	Distance Piece for Layshaft . . . . . (Suffix A)	A/R
-	Distance Piece for Layshaft . . . . . (Suffix B & on)	A/R
29.	Sleeve	263878
30.	Layshaft . . . . . (Suffix A)	RTC1981
-	Layshaft . . . . . (Suffix B & C)	528703
-	Layshaft . . . . . (Suffix D & on)	556040
31.	Split Circlip . . . . . (Suffix A-C)	239272
32.	First Speed Layshaft (15T) . . . . . (Suffix A & B)	501616
-	First Speed Layshaft (14T) . . . . . (Suffix C & on)	511189
33.	Rear Layshaft Bearing	RTC1412
34.	Reverse Idler Gear . . . . . (Suffix A & B)	90/217389
-	Reverse Idler Gear . . . . . (Suffix C & on)	561960
35.	Bushing	561954
36.	Shaft	561962

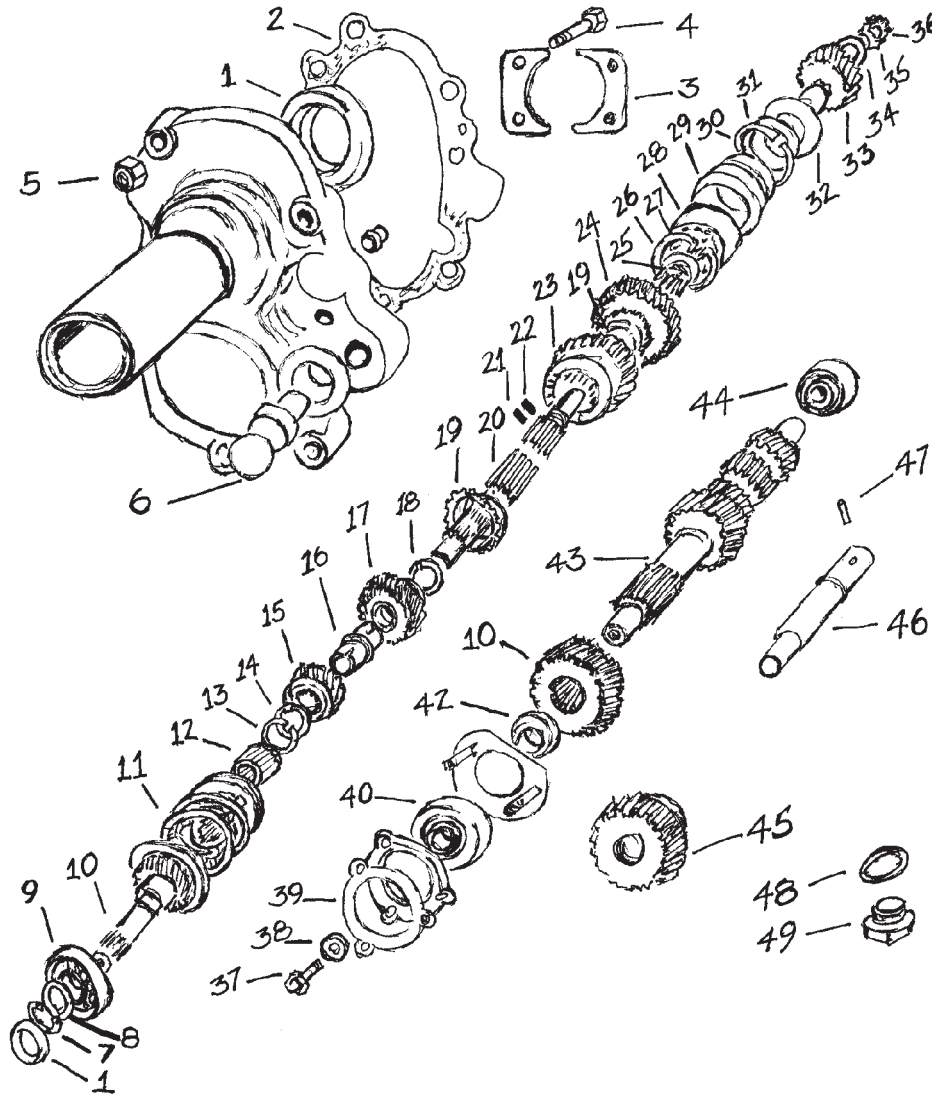
802-885-6660



Fax 802-885-6662

**GEARBOX - SERIES III**

**Series III**



Reference	Description	Part No.
-	Rebuilt Gearbox Assembly, Series III	LRG001
1.	Oil Seal	571059
2.	Gasket	576724
3.	Retainer	566379
4.	Bolt	576717
5.	Nut	251321
6.	Pivot	576720
7.	Circlip	214795
8.	Thrust Washer . . . . . 2.00 mm	594021
-	Thrust Washer . . . . . 2.05 mm	594020
-	Thrust Washer . . . . . 2.10 mm	594019
-	Thrust Washer . . . . . 2.15 mm	594018
9.	Bearing	055714
10.	Primary Pinion and Constant Gear Set	606880
11.	3rd & 4th Synchro Assembly	FRC1758
12.	Bearing	006397
13.	Circlip	RTC1957
14.	3rd Speed Thrust Washer . . . . . 0.125"	RTC1962
-	3rd Speed Thrust Washer . . . . . 0.128"	050702
-	3rd Speed Thrust Washer . . . . . 0.130"	050703
-	3rd Speed Thrust Washer . . . . . 0.135"	231737
15.	Third Speed Gear	556010
16.	Bronze Distance Sleeve	571218
17.	2nd Speed Gear	591363
18.	Thrust Washer 2nd Gear . . . . . 0.125"	267572
-	Thrust Washer 2nd Gear . . . . . 0.128"	267573
-	Thrust Washer 2nd Gear . . . . . 0.130"	267574
-	Thrust Washer 2nd Gear . . . . . 0.135"	267575
19.	Synchromesh Cone	591364
20.	Mainshaft	576725
21.	Peg for Mainshaft . . . . . (Small)	006405
22.	Peg for Mainshaft . . . . . (Large)	RTC1979
23.	Sliding Member Assembly	608283
24.	First Speed Gear	591362
25.	Bushing for First Gear	576734

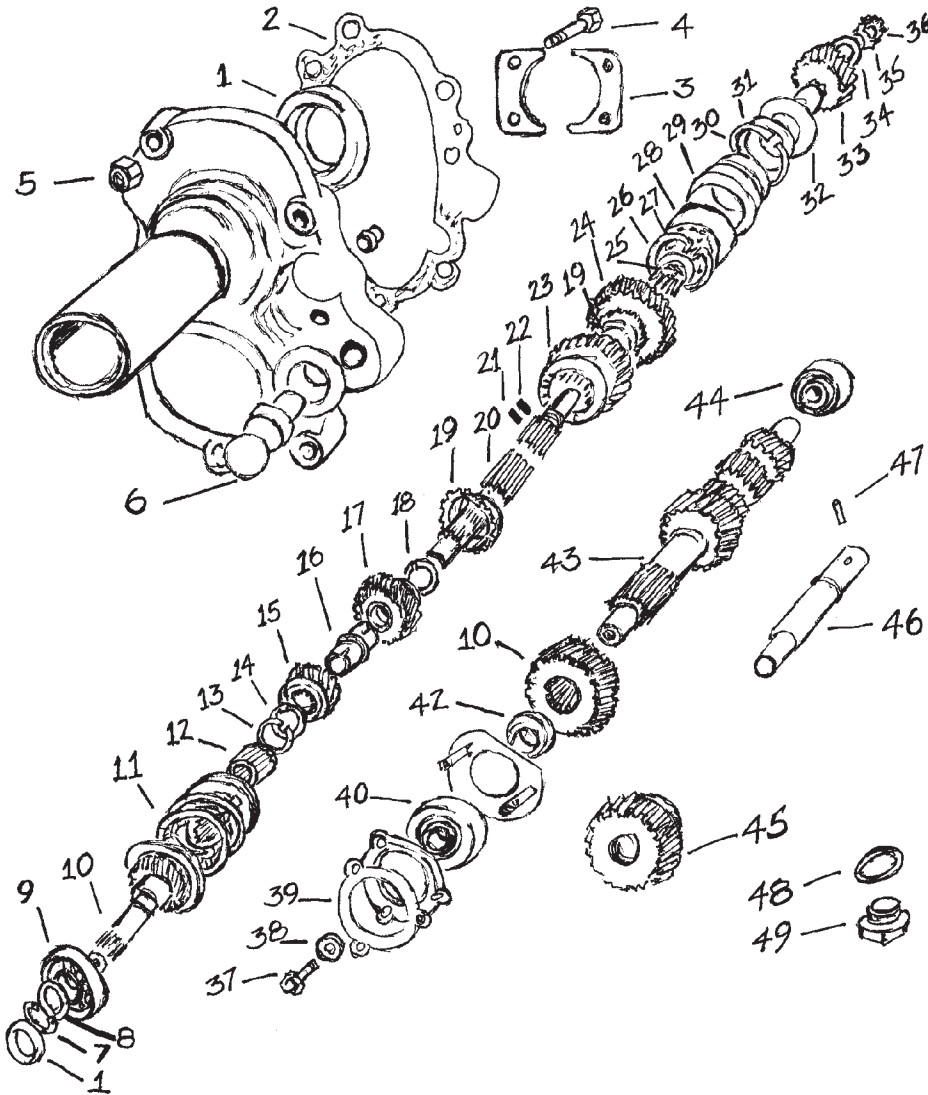
Continued.....

802-885-6660 **D.A.P.** Enterprises Inc. Fax 802-885-6662

# Series III

## GEARBOX - SERIES III

(Continued)



<u>Reference</u>	<u>Description</u>	<u>Part No.</u>
26.	First Speed Thrust Washer	576735
27.	Circlip	009960
28.	Bearing	001645
29.	Sleeve (Normally not serviced)	576836
30.	Circlip	RTC1984
31.	Oil Seal	236305
32.	Oil Slinger	232415
33.	Mainshaft Gear	218244
34.	Washer	501501
35.	Locker	217476
36.	Nut	217477
37.	Special Bolt	561601
38.	Washer	576907
39.	Locker	528603
40.	Front Layshaft Bearing	528701
41.	Plate	528685
42.	Distance Piece	0.405 528720
-	Distance Piece	0.425 528721
-	Distance Piece	0.445 528722
43.	Layshaft Assembly	576686
44.	Rear Layshaft Bearing	RTC1412
45.	Reverse Idler Gear	576707
46.	Shaft for Reverse Idler	591527
47.	Lock Peg	591519
48.	Drain Plug Crush Washer, Gearbox & Transfer Case	515599
49.	Drain Plug for Gearbox	540870

### MISCELLANEOUS

-	Gearbox and Transfer Case Gasket Set	600603
---	--------------------------------------	--------

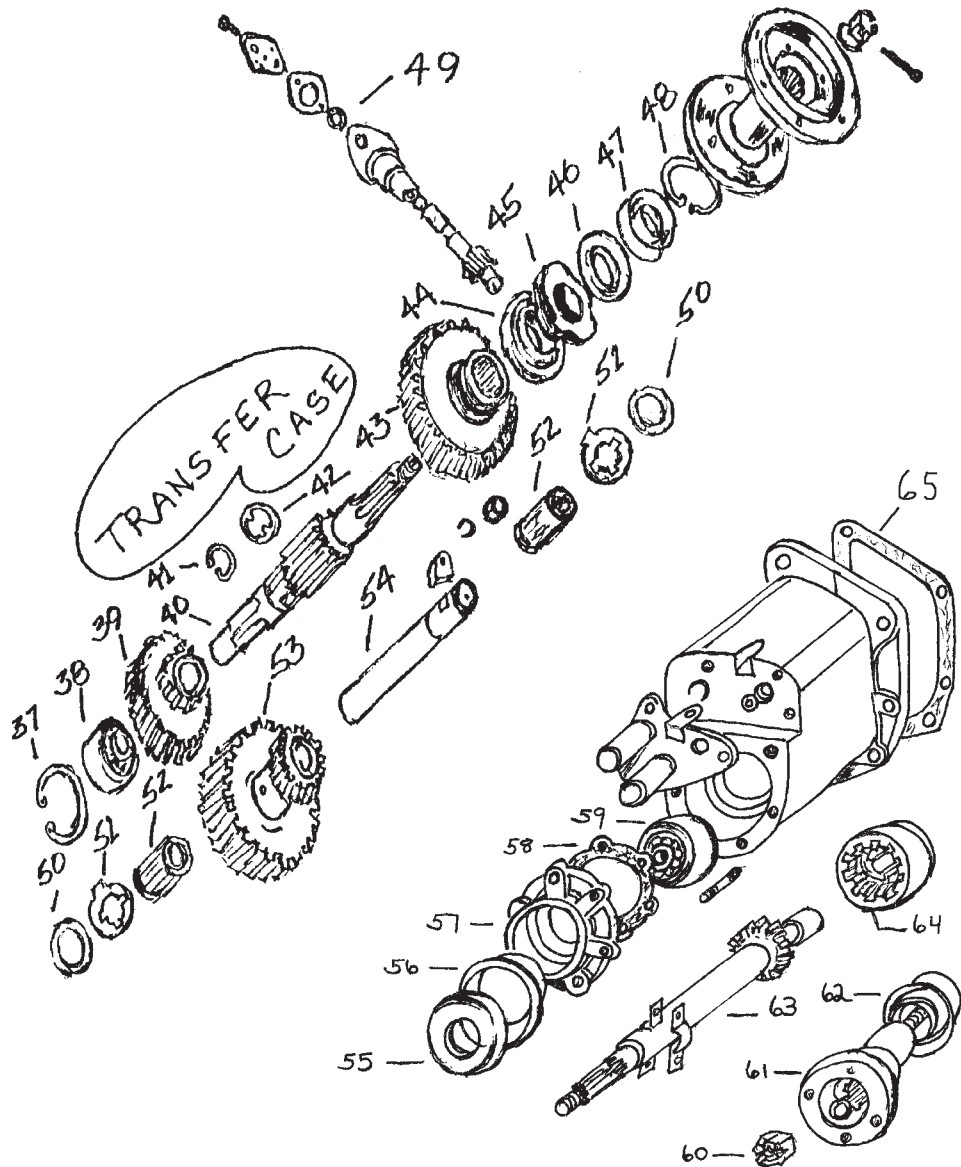
802-885-6660



Fax 802-885-6662



**TRANSFER CASE**



<u>Reference</u>	<u>Description</u>	<u>Part No.</u>
37.	Circlip .....	.217330
38.	Front Output Bearing .....	.217490
39.	High Gear Wheel .....	.218243
40.	Output Shaft .....	.591429
41.	Circlip .....	.CCN122
42.	Spacer .....	.90/217488
43.	Low Gear Wheel .....	(Suffix A & B) .235438
-	Low Gear Wheel .....	(Suffix C & on) .532979
44.	Rear Output Bearing .....	.90/217512
45.	Worm Gear, Speedometer Drive .....	.540004
46.	Rear Output Seal .....	(F & R same) .236417
47.	Mudshield .....	.236074
48.	Circlip .....	.217546
49.	Speedo Pinion Oil Seal .....	.211502
50.	Shim Intermediate Gear .....	(Suffix A) .234835
-	Shim Intermediate Gear .....	(Suffix B & on) .561197
51.	Thrust Washer Intermediate Gear .....	(Suffix A) .219469
-	Thrust Washer Intermediate Gear .....	(Suf.B & on) .521328
52.	Roller Bearing Intermediate Gear .....	(Suffix A) .219466
-	Roller Bearing Intermediate Gear .....	(Suffix B) .599869
53.	Intermediate Gear .....	(Suffix A) .219468
-	Intermediate Gear .....	(Suffix B) .521330
-	Intermediate Gear .....	(Suffix C & on) .533080
54.	Intermediate Gear Shaft .....	(Suffix A) .278025
-	Intermediate Gear Shaft .....	(Suffix B & on) .594195
55.	Output Oil Seal .....	(F & R same) .236417
56.	Mudshield .....	.236548
57.	Retainer .....	.236541
58.	Gasket .....	.FRC1511
59.	Front Output Bearing .....	.217325
60.	Nut .....	.003259
61.	Driving Flange .....	.539993
62.	Mudshield .....	.236074
63.	Shaft .....	.243611
64.	Locking Dog .....	.233241
65.	Gasket, Gearbox to Transfer Case .....	.622048

**MISCELLANEOUS**

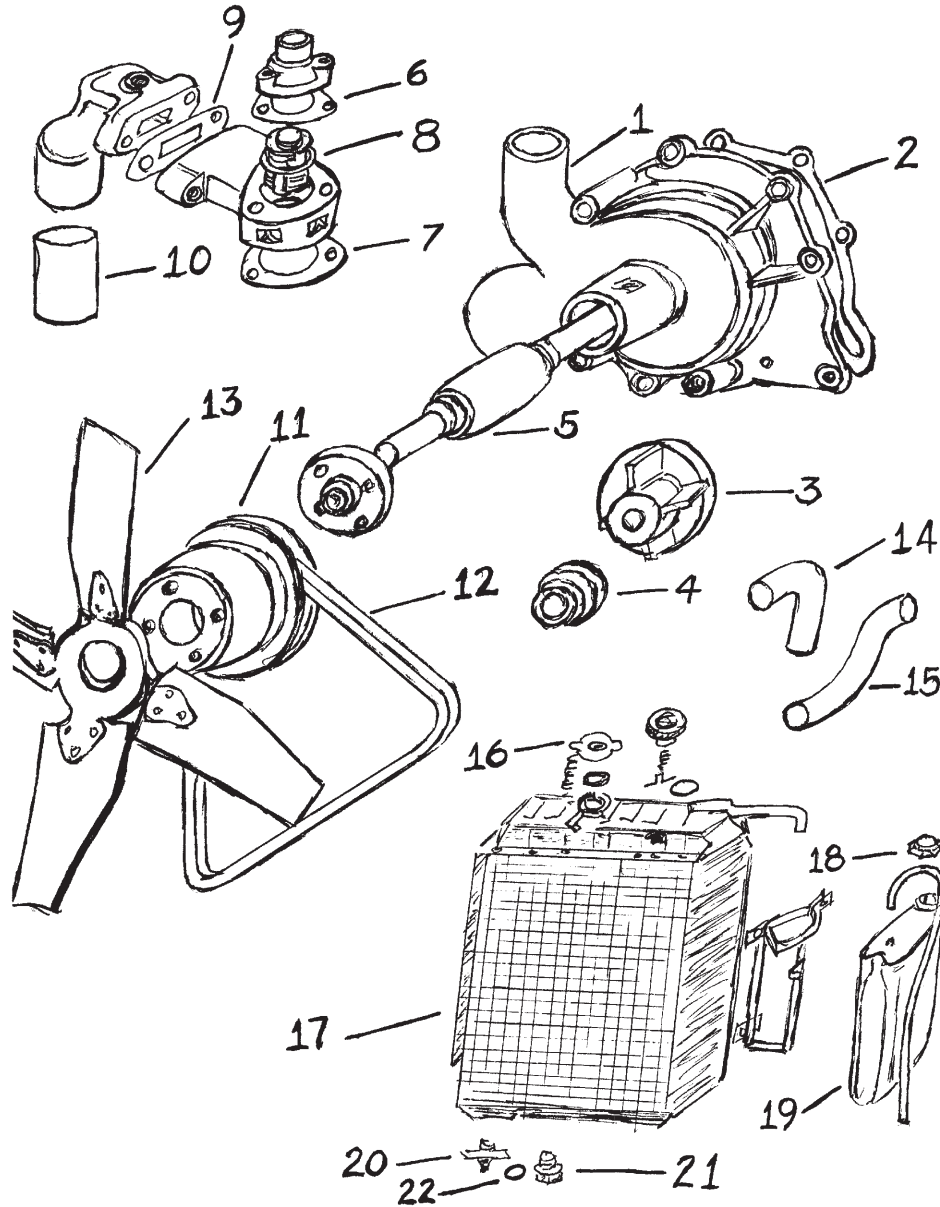
-	Gasket Set for Gearbox & Transfer Case .....	.600603
---	--	---------

802-885-6660



Fax 802-885-6662

## COOLING SYSTEM



<u>Reference</u>	<u>Description</u>	<u>Part No.</u>
1.	Water Pump .....(Series IIA & III)	<b>GWP312</b>
-	Water Pump .....(24 Volt Military)	<b>549735*</b>
2.	Gasket	<b>538671</b>
3.	Impeller	<b>247916</b>
4.	Seal and Ring	<b>568301</b>
5.	Spindle and Bearing	<b>523354</b>
6.	Thermostat Housing Gasket	<b>527110</b>
7.	Thermostat Housing Gasket	<b>527110</b>
8.	Thermostat - 164 Degrees .....(Series IIA & III)	<b>GTS109</b>
-	Thermostat - 180 Degrees	<b>GTS102</b>
-	O-Ring for Thermostat	<b>GTG109</b>
9.	By Pass Gasket	<b>511958</b>
10.	By Pass Hose	<b>574871</b>
11.	Pulley - Single Groove	<b>530890</b>
12.	Fan Belt	<b>GFB124</b>
13.	Fan Blade	<b>512018</b>
14.	Top Hose .....(Early IIA - Up to 1968)	<b>GRH439</b>
-	Top Hose .....(Late IIA & III)	<b>GRH585</b>
15.	Lower Hose .....(Early IIA)	<b>GRH369</b>
-	Lower Hose .....(Late IIA & III)	<b>GRH609</b>
16.	Radiator Cap	<b>GRC118</b>
17.	Radiator Assembly .....(Replaces all Years)	<b>577609</b>
18.	Cap for Overflow Bottle	<b>564719</b>
19.	Overflow Bottle	<b>564718</b>
20.	Pet Cock for Radiator	<b>602915</b>
21.	Drain Plug for Radiator	<b>569047</b>
22.	Gasket for Drain Plug	<b>213959</b>

### NOTES

When replacing thicker radiator (early IIA) with 557609, later hoses must be used.

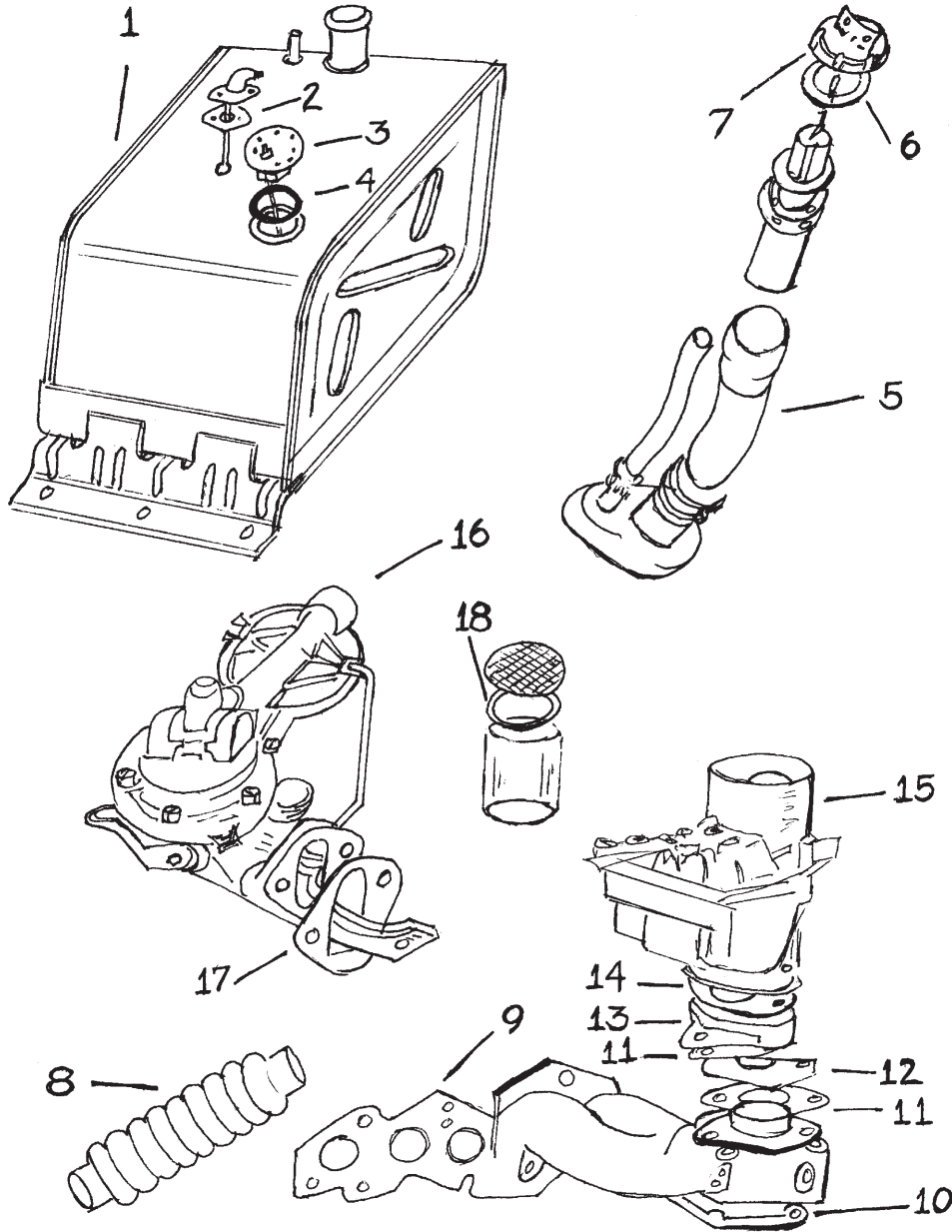
\*Some military cooling system components and water pumps are different than above

\*\*\* Above items fit either Petrol or Diesel unless noted. \*\*\*

802-885-6660



Fax 802-885-6662



**FUEL SYSTEM**

Reference	Description	Part No.
1.	88" Fuel Tank, HD	LRA029
-	88" Fuel Tank, Stainless Steel	LRA029S/S
-	88" Fuel Tank- Auxiliary or Military Type . . . .(fills under seat)	LRA030
-	109" Fuel Tank - Station Wagon . . . .(Not Shown)	543164
2.	Gasket	267837
3.	Sending Unit 88" . . . .(Petrol) (Neg Earth)	555844
-	Sending Unit 109" . . . .(Petrol) (Neg Earth)	555846
-	Sending Unit 88" . . . .(Diesel) (Neg Earth)	555845
-	Sending Unit 88" . . . .(Military) (24 Volt)	530008
4.	Gaskets for all Senders	546488
5.	Filler Hose 88"	543764
-	Filler Hose 109" Station Wagon . . . .(Not Shown)	543782
6.	Gasket for Filler Cap	505244
7.	Filler Cap (2 Lug)	504655
-	Filler Cap (3 Lug) . . . .(Non-Vented)	577467
-	Filler Cap -Old Style . . . .(Vented-Early 60's)	277260
8.	Air Cleaner Hose . . . .(Petrol)	517903
-	Air Cleaner Hose . . . .(Diesel)	90/509730
-	Elbow to Carb Hose	554418
9.	Gasket Manifold to Head . . . .(Petrol)	274171
-	Gasket Manifold to Head . . . .(Diesel)	GEG685
10.	Gasket Between Inlet and Exhaust Manifold	247824
11.	Gasket	278163
12.	Packing Piece	278162
13.	Adapter-(needed when replacing Solex with Zenith or Weber)	554175
14.	Gasket	554163
15.	Carburetor . . . .(Solex Type)	546029
-	Carburetor . . . .(Zenith)	598107Z
-	Carburetor . . . .(Weber replaces Zenith)	598107W
16.	Fuel Pump . . . .(Petrol or Diesel)	549761
17.	Gasket	275565
18.	Gasket for Bowl	27H1330

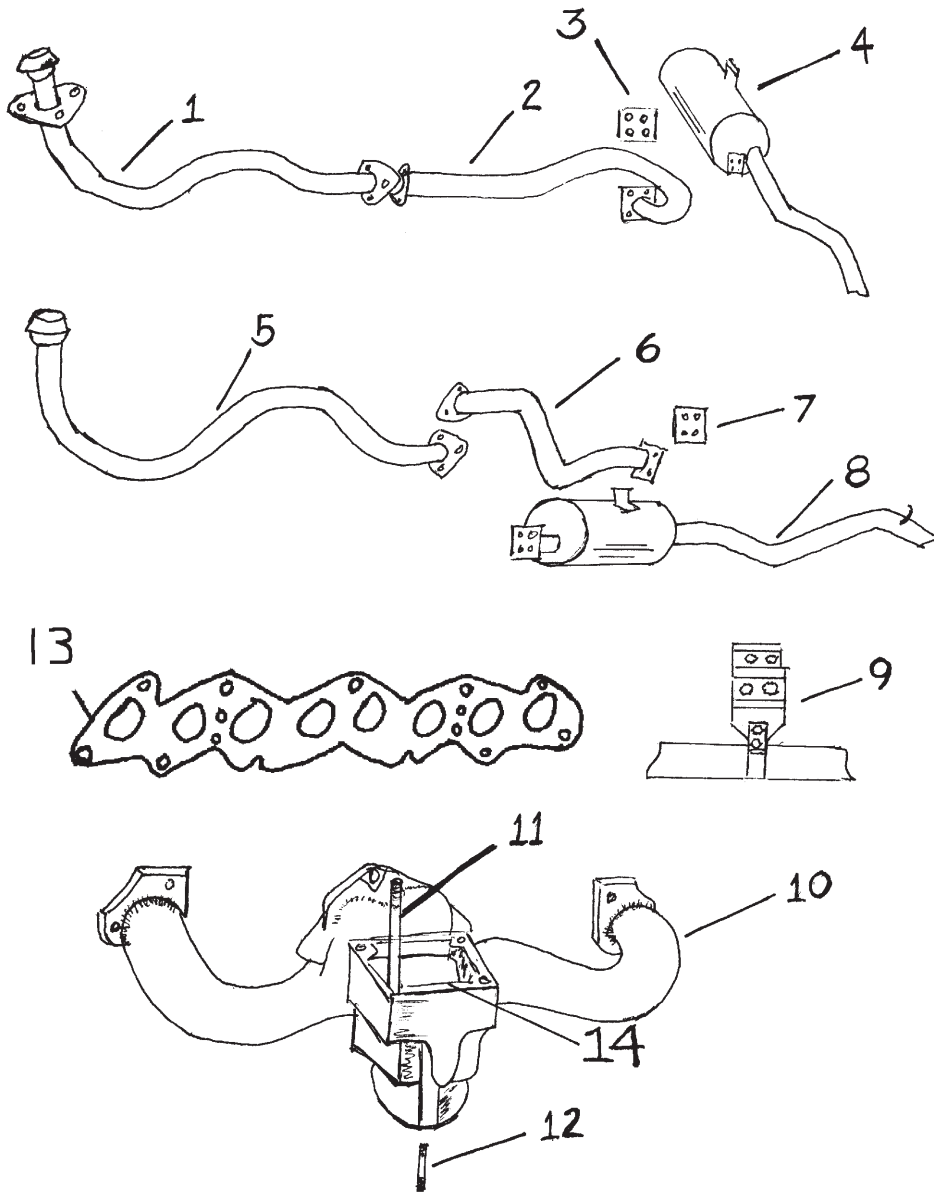
**MISCELLANEOUS**

-	Rebuild Kit for Zenith Carburetor	605092
-	Gasket Kit for Zenith Carburetor	605093
-	Rebuild Kit for Solex Carburetor	507687
-	Gasket Kit for Solex Carburetor	507693
-	Rebuild Kit for Weber Carburetor	598107K
-	Rebuild Kit for Fuel Pump	272069
-	Fuel Filter Element for Diesel	90/517711
-	Accelerator Pump for Solex Carburetor	503900
-	Needle Valve, Zenith Carburetor	601900
-	Float for Zenith Carburetor	601858
-	Ball Socket Joint for Throttle Linkage Arms	531324
-	In Line Fuel Filter	606168
-	Canister Type Fuel Filter . . . .(Series III)	606204

\*\*\* Above items fit either Petrol or Diesel unless noted.\*\*\*

802-885-6660 **D.A.P.** Enterprises Inc. Fax 802-885-6662

## EXHAUST SYSTEM



<u>Reference</u>	<u>Description</u>	<u>Part No.</u>
1.	88" Front Pipe . . . . .(Petrol)	.GEX1372
-	88" Front Pipe . . . . .(Diesel) (Side Outlet)-Early	.GEX1369
2.	88" Intermediate Pipe . . . . .(Petrol)	.GEX1373
-	88" Intermediate Pipe . . . . .(Diesel)	.GEX1370
3.	Gasket Intermediate Pipe to Muffler . . . . .	.213358
4.	88" Muffler and Tailpipe . . . . .	.GEX3309
5.	109" Front Pipe . . . . .(Petrol)	.GEX1376
-	109" Front Pipe . . . . .(Diesel)	.GEX1563
-	109" Front Pipe . . . . .(Petrol) Military 2 door	.GEX1372
6.	109" Intermediate Pipe . . . . .(Petrol) 2 door model	.GEX1375
-	109" Intermediate Pipe . . . . .(Sta/Wgn, Petrol and Diesel)	.GEX1377
-	109" Intermediate Pipe (Military 2 door with dual tanks - Petrol)	.501221
7.	Gasket Intermediate Pipe to Muffler . . . . .	.213358
8.	109" Muffler and Tailpipe . . . . .(Sta/Wgn & Diesel)	.GEX3478
9.	88" Intermediate Hanger Assembly . . . . .	.LRA045*
-	88" Tailpipe Hanger Assembly . . . . .	.LRA047*
-	88" Muffler Hanger Assembly . . . . .	.LRA046*
-	109" Intermediate Hanger Assembly . . . . .	.LRA048*
-	109" Muffler Hanger Assembly . . . . .	.LRA046*
-	109" Tailpipe Hanger Assembly . . . . .	.LRA047*
10.	Exhaust Manifold . . . . .(Petrol)	.598473
11.	Stud Connecting Inlet and Exhaust Manifolds (4 needed)	.574048
12.	Stud Connecting Lower Pipe to Manifold . . . . .(3 needed)	.568664
-	Brass Nuts for above Studs . . . . .	.LRH005
13.	Gasket - Manifold to Head . . . . .(Petrol)	.274171
-	Gasket - Manifold to Head . . . . .(Diesel)	.GEG685
14.	Gasket Between Inlet & Exhaust Manifolds . . . . .	.247824

### MISCELLANEOUS

- Stud Kit Fixing Manifolds to Cylinder Head . . . . . .606988
- Replacement Rubber Strap for all Hangers . . . . . .244316
- Front Pipe 109" Station Wagon . . . . .(6 cylinder) . . . . .GEX1380\*\*
- Intermediate Pipe 109" Station Wagon . . . . .(6 cylinder) . . . . .GEX1381\*\*
- Muffler 109" Station Wagon . . . . .(6 cylinder) . . . . .GEX3307\*\*
- Tailpipe 109" Station Wagon . . . . .(6 cylinder) . . . . .GEX1383\*\*

\*Complete with Stainless Steel Hardware

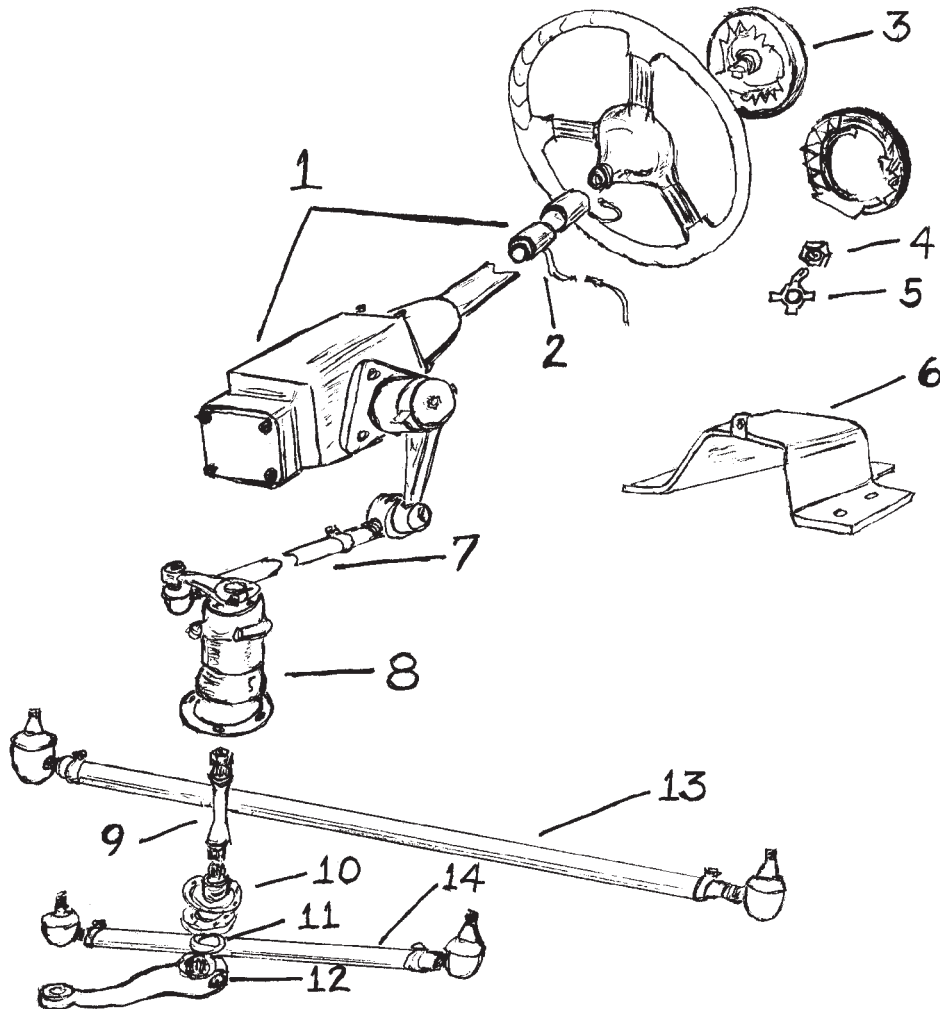
\*\*6 Cylinder exhaust pipes listed above will not mate up to Original NADA system, but can be changed as a complete system.

802-885-6660



Fax 802-885-6662

**STEERING**



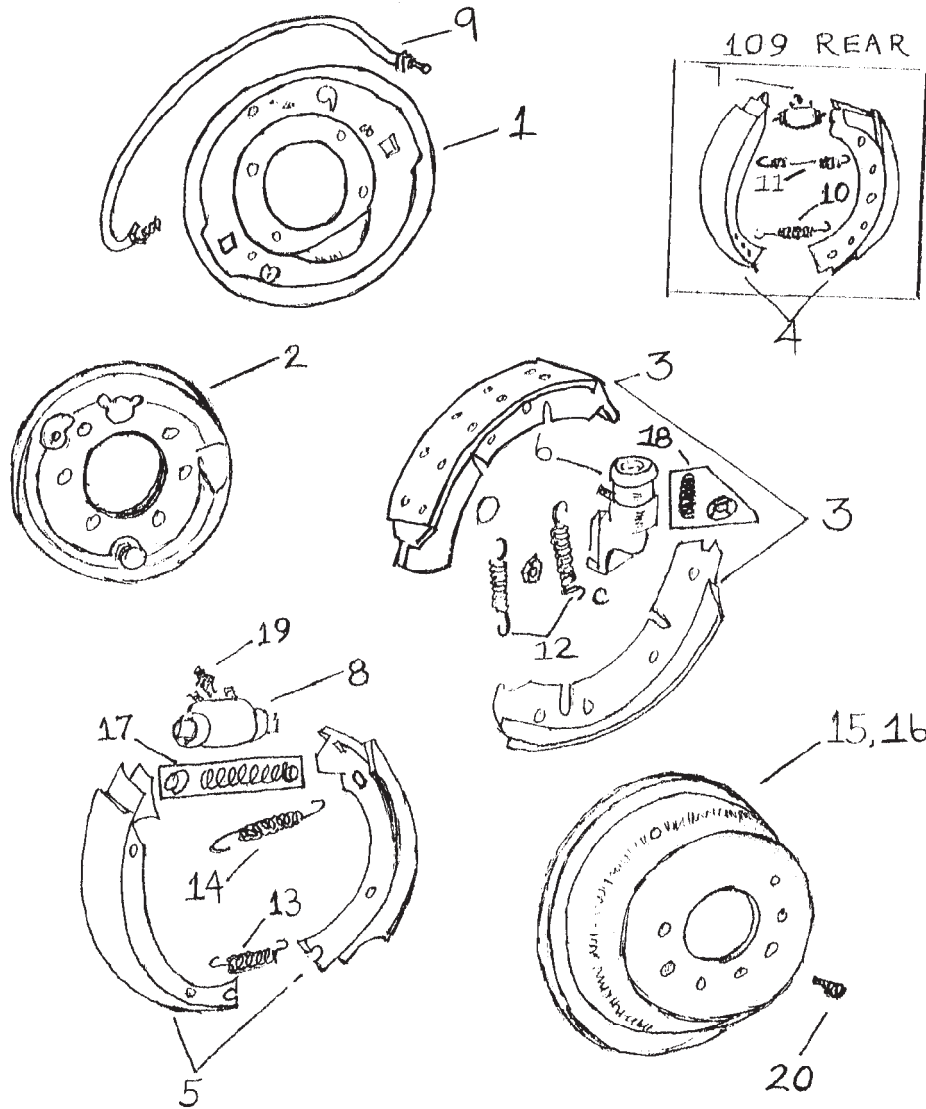
<u>Reference</u>	<u>Description</u>	<u>Part No</u>
1.	Steering Box and Column Assy LHD .(68-71, Series IIA) . . . . .	.577184
-	Steering Box and Column Assy LHD .(72 & Up , Series III) . . . . .	.592993
2.	Dust Cover and Horn Contact . . . . .(Up to Suffix B) . . . . .	.512359*
-	Dust Cover and Horn Contact . . . . .(Suffix C onward) . . . . .	.552575*
3.	Horn Push and Cover . . . . .	.90/575201*
4.	Nut . . . . .(Suffix C onward) . . . . .	.552804
5.	Tag Washer . . . . .	.552572
6.	Steering Box Cover . . . . .	.330460
7.	Steering Rod Assembly . . . . .(Complete) . . . . .	.90/608462
-	Ends for Steering Rod . . . . .(RH Thread) . . . . .	.231183G
-	Ends for Steering Rod . . . . .(LH Thread) . . . . .	.231184G
-	Steering Rod End Clamp . . . . .	.577898
-	Steering Rod End Clamp Bolt . . . . .	.256006
-	Steering Rod End Clamp Nut . . . . .	.GHF0221
8.	Steering Relay . . . . .(Assembly) . . . . .	.543878
9.	Shaft for Relay . . . . .	.562875
-	Bushings for Shaft . . . . .(4) . . . . .	.537877
10.	Gasket for Retainer . . . . .	.90/624436
11.	Oil Seal . . . . .	.213340
12.	Lower Relay Arm . . . . .	.535286
13.	Tie Rod Assembly . . . . .(Complete) . . . . .	.608465
-	Tube Only . . . . .	.526994
-	Ends for Tie Rod . . . . .(RH Thread) . . . . .	.231183G
-	Ends for Tie Rod . . . . .(LH Thread) . . . . .	.231184G
-	Tie Rod End Clamp . . . . .	.577898
-	Tie Rod End Clamp Bolt . . . . .	.256006
-	Tie Rod End Clamp Nut . . . . .	.GHF0221
14.	Relay Rod . . . . .	.269270
-	Ends for Relay Rod . . . . .(RH Thread) . . . . .	.231183G
-	Ends for Relay Rod . . . . .(LH Thread) . . . . .	.231184G
-	Relay Rod End Clamp . . . . .	.577898
-	Relay Rod End Clamp Bolt . . . . .	.256006
-	Relay Rod End Clamp Nut . . . . .	.GHF0221

\* Center Push Horn Models.

802-885-6660 **D.A.P.** Enterprises Inc. Fax 802-885-6662



## BRAKE DRUMS & FRICTION



<u>Reference</u>	<u>Description</u>	<u>Part No.</u>
1.	Brake Backing Plate 109" 4 Cyl. ....LH .....	246565
-	Brake Backing Plate 109" 4 Cyl. ....RH .....	246566
2.	Brake Backing Plate 88" 4 Cyl. ....LH .....	515406
-	Brake Backing Plate 88" 4 Cyl. ....RH .....	515405
3.	Front Brake Shoes 109" 4 Cyl. ....(Axle Set) .....	GBS160
-	Front Brake Shoes 109" 6 Cyl. ....(Axle Set) .....	GBS179
4.	Rear Brake Shoes ALL 109" ....(Axle Set) .....	GBS550
5.	Front or Rear Brake Shoes 88" ....(Axle Set) .....	GBS728
6.	Wheel Cylinder LF 109" 4 Cyl. ....(2 Needed) .....	GWC303
-	Wheel Cylinder RF 109" 4 Cyl. ....(2 Needed) .....	GWC304
-	Wheel Cylinder LF 109" 6 Cyl. ....(2 Needed) .....	GWC301
-	Wheel Cylinder RF 109" 6 Cyl. ....(2 Needed) .....	GWC302
7.	Wheel Cylinder ALL 109" Rear ....RH .....	243296
-	Wheel Cylinder ALL 109" Rear ....LH .....	243297
8.	Wheel Cylinder LF 88" .....	243297
-	Wheel Cylinder RF 88" .....	243296
-	Wheel Cylinder RR 88" .....	243302
-	Wheel Cylinder LR 88" .....	243303
9.	Connecting Pipe 109" 4 Cyl. ....	233122
-	Connecting Pipe 109" 6 Cyl. ....	600206
-	Connecting Pipe 88" (Dual Braking Sys. Series IIA & III) ....	577679
10.	Spring (Abutment End) All 109" Rear .....	531893
11.	Spring (Wheel Cylinder End) All 109" Rear .....	548169
12.	Spring All 109" Front .....	234889
13.	Lower Brake Spring 88" .....	218983
14.	Upper Brake Spring 88" .....	503981
15.	Brake Drum 109" 4 Cyl. Front or Rear (Ch. Suffix A-G) .....	516599
-	Brake Drum 109" 4 Cyl. Front or Rear (Ch. Suffix H-on) ....	576973
-	Brake Drum 109" 6 Cyl. Front .....	576974
16.	Brake Drum 88" Series IIA Rear .....	591661
-	Brake Drum 88" Series III Rear .....	591039
17.	Wheel Cylinder Kit 88" Front .....	275744*
-	Wheel Cylinder Kit 88" Rear .....	266687*
18.	Wheel Cylinder Kit 109" Front 4 Cyl. ....	266684*
-	Wheel Cylinder Kit 109" Front 6 Cyl. ....	600210*
-	Wheel Cylinder Kit Fits All 109" Rear .....	275744*
19.	Bleed Screw (Fits all Wheel Cyl. 88" & 109") .....	556508
20.	Brake Drum Screw (Fits All 88" & 109") .....	001510

### MISCELLANEOUS

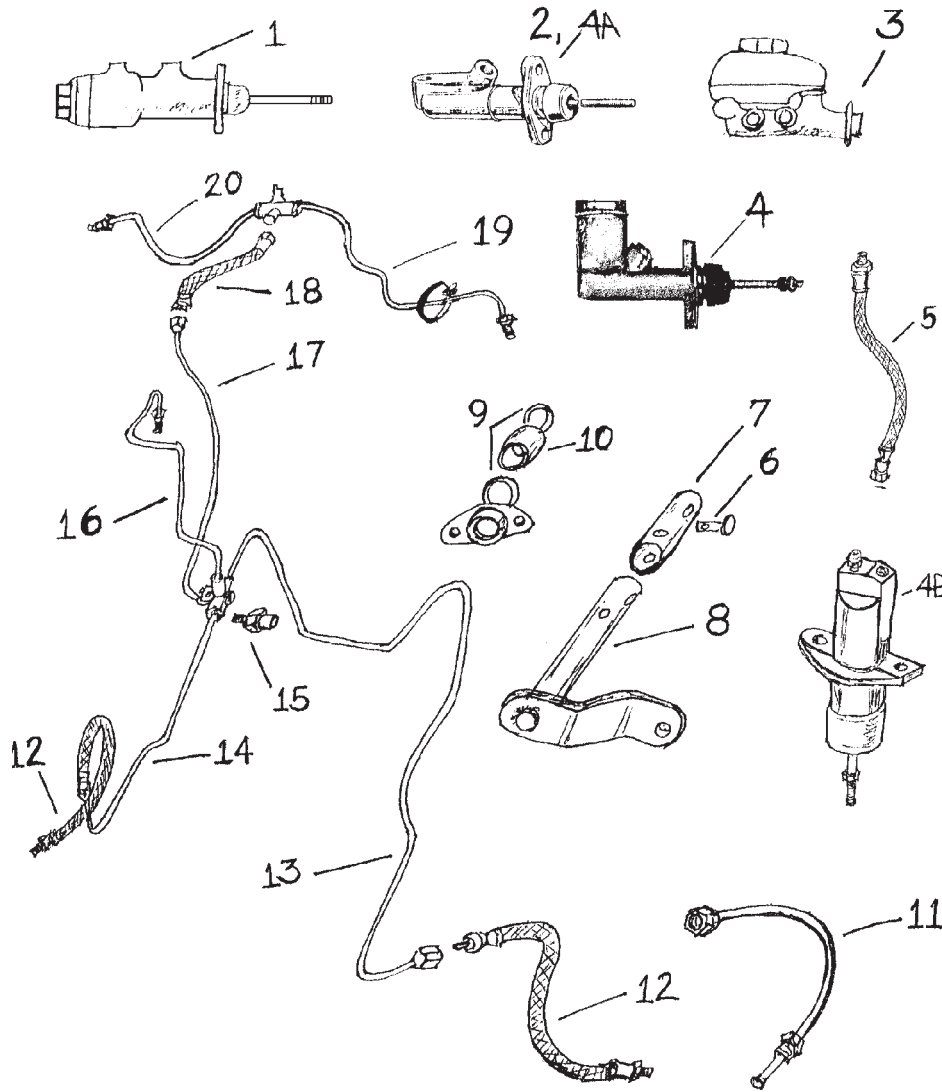
-	Emergency Brake Shoes .....	GBS552
-	Hand Brake Shoe Return Springs .....	515465
-	Brake Cam Adjuster Kit (one kit does a complete 88", two kits are needed for a 109") .....	BA144
-	Castrol/Girling Brake Fluid .....	LRF003

802-885-6660

**D.A.P.**  
Enterprises Inc.

Fax 802-885-6662

**BRAKE & CLUTCH HYDRAULICS**



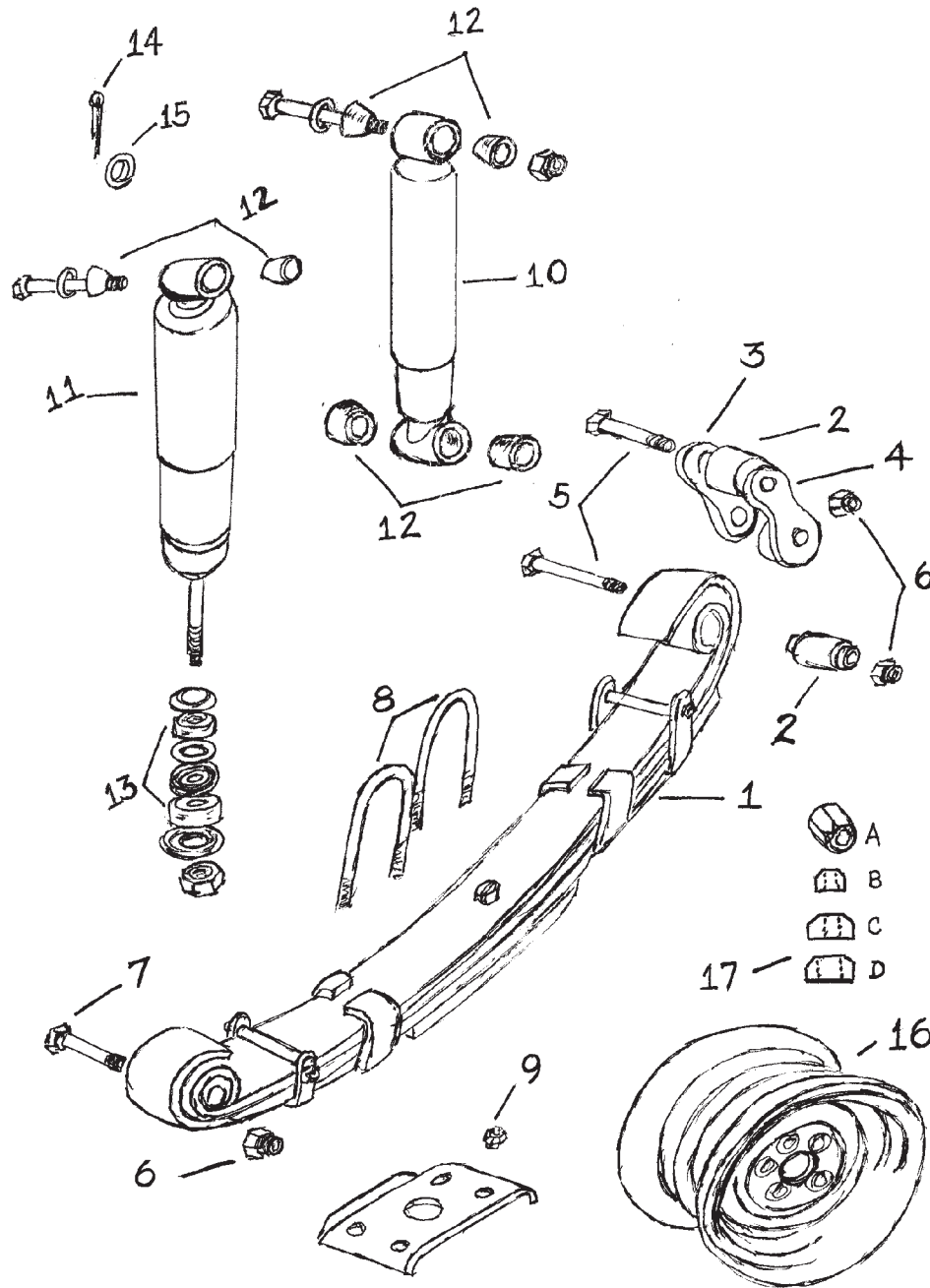
Reference	Description	Part No.
1.	Brake Master Cylinder, Small, 1 1/4" Nut . . . . .(CB Type) . . . . .	GMC314
-	Brake Master Cylinder, Large, 1 1/2" Nut . . . . .(CB Type) . . . . .	GMC312
2.	Brake Master Cylinder . . . . .(CV Type) . . . . .	GMC310
3.	Brake Master Cylinder . . . . .(Dual Braking System) . . . . .	GMC320
-	Replacement Reservoir for above Master Cylinder . . . . .	LRA042
-	Brake Booster Unit . . . . .	569338
4.	Clutch Master Cylinder (Integral Reservoir) . . . . .	550732
4A.	Clutch Master Cylinder (External Reservoir) . . . . .(CV Type) . . . . .	GMC310
4B.	Clutch Slave Cylinder . . . . .(All Series IIA) . . . . .	266694
-	Clutch Slave Cylinder . . . . .(Series III) . . . . .	591231
5.	Clutch Slave Cylinder Flex Hose 3/16" (Most Series IIA) . . . . .	GBH134
-	Clutch Slave Cylinder Flex Hose 1/4" (Later Series IIA) . . . . .	552057
-	Clutch Slave Cylinder Flex Hose . . . . .(Series III) . . . . .	NRC2129
6.	Pin . . . . .(2 needed) . . . . .	536803
7.	Connecting Tube . . . . .	561661
8.	Clutch Operating Shaft . . . . .(Series IIA) . . . . .	537603
9.	Felt Ring . . . . .	217985
10.	Bearing . . . . .	90/217984
11.	Brake Line . . . . .(Series III only) . . . . .	577679
12.	Flexible Brake Hose . . . . .(Series IIA) . . . . .	GBH134
-	Flexible Brake Hose . . . . .(Series III) . . . . .	GBH130
13.	Left Front Brake Line . . . . .(Series III) . . . . .	565466
-	Left Front Brake Line . . . . .(Series IIA) . . . . .	592549
14.	Right Front Brake Line . . . . .(Series IIA) . . . . .	277923
-	Right Front Brake Line . . . . .(Series III) . . . . .	592364
15.	Brake Light Switch . . . . .(Hydraulic) . . . . .	560775
-	Brake Light Switch . . . . .(Mechanical) . . . . .	575166
16.	Pipe - Junction to Master Cylinder . . . . .	512838
17.	Pipe - Junction to Rear Hose 88" . . . . .	279418
-	Pipe - Junction to Rear Hose 109" . . . . .	279452
18.	Flex Hose to Rear Axle 88" . . . . .	GBH134
-	Flex Hose to Rear Axle 109" . . . . .	GBH302
19.	Left Rear Brake Line . . . . .	504517
20.	Right Rear Brake Line . . . . .	531906

**MISCELLANEOUS**

-	Castrol/Girling Brake Fluid . . . . .	LRF003
-	Copper Ring between Hose and Cylinder . . . . .	233220
-	Rebuild Kit for Dual Masters with Slanted Resv. or 1" Bore . . . . .	607726
-	Rebuild Kit for Dual Master Cylinders with .875 Bore . . . . .	606422
-	Rebuild Kit for Clutch Master and/or CV Master . . . . .	601611
-	Rebuild Kit for GMC314 . . . . .	502333
-	Rebuild kit for GMC312 . . . . .	605127
-	Rebuild Kit for ALL Clutch Slave Cylinders . . . . .	502335
-	Brake and Clutch Pedal Pads . . . . .	GLR302
-	Emergency Brake Boot - suffix A-C, (Fits Straight Lever) . . . . .	330347
-	Emergency Brake Boot - suffix D-on (Fits Curved Lever) . . . . .	338780

802-885-6660 **D.A.P.** Enterprises Inc. Fax 802-885-6662

## SUSPENSION SYSTEMS & WHEELS



<u>Reference</u>	<u>Description</u>	<u>Part No.</u>
1.	Front Spring 88" .....(9 Leaf) .....	.241283*
-	Front Spring 109" .....(11 Leaf) .....	.265627*
-	Rear Spring 88" .....	.517589*
-	Rear Spring 109" 5 Door .....	.279678*
-	Rear Spring 109" 2 Door .....	.272967*
2.	Spring Bushing .....	.548205
-	Frame Bushing .....	.569746
3.	Spring Shackle (Front Spring) 88" & 109" .....	.270520
-	Spring Shackle (Rear Spring) 88" .....	.244162
-	Spring Shackle (Rear Spring) 109" .....	.279970
4.	Threaded Spring Shackle (Front Spring) 9/16" 88" & 109" ....	.537687
-	Threaded Spring Shackle (Rear Spring) 9/16" 88" .....	.537686
-	Threaded Spring Shackle (Rear Spring) 9/16" 109" .....	.537685
5.	Bolt (Rear of Rear Spring) .....	.537740
-	Bolt (Rear of Front Spring) .....	.537742
6.	Nut 9/16" .....	.252165
7.	Bolt (Front of Front Spring) .....	.537741
-	Bolt (Front of Rear Spring) .....	.537741
8.	U-Bolt (Front Spring) 88" Petrol .....(3 Needed) ....	.562637
-	U-Bolt (Front Spring) 88" Petrol .....(1 Needed) ....	.562641
-	U-Bolt (Front Spring) 88" Diesel .....(3 Needed) ....	.543108
-	U-Bolt (Front Spring) 88" Diesel .....(1 Needed) ....	.569028
-	U-Bolt (Front Spring) 109" Petrol .....(3 Needed) ....	.543108
-	U-Bolt (Front Spring) 109" Petrol .....(1 Needed) ....	.569028
-	U-Bolt (Rear Spring) All 88" and 109" .....(4 Needed) ....	.242127
9.	Nut for All U-Bolts .....	.251323
10.	Shock Absorber Front 88" .....	.GSA195
-	Shock Absorber Rear 88" .....	.GSA199
11.	Shock Absorber Front 109" .....	.GSA196
-	Shock Absorber Rear 109" .....	.GSA200
12.	Shock Bushing .....	.552819
13.	Shock Bushing (109" Lower) .....	.552818
14.	Cotter Pin .....	.004063
15.	Washer .....	.264024
16.	16" Road Wheel (For tires up to 7 X 16) .....	.231601
-	16" Road Wheel (For tires larger than 7 X 16) .....	.NRC7578
17A.	Lug Nut - Double Sided (Old Style) .....	.217361
17B.	Lug Nut - Single Sided (Early IIA) Same ID as above .....	.561254
17C.	Lug Nut - Larger OD (Later IIA) Same ID as above .....	.576103
17D.	Lug Nut - Larger ID (Series III) Same OD as above .....	.90/577473

802-885-6660

**D.A.P.**  
Enterprises Inc.

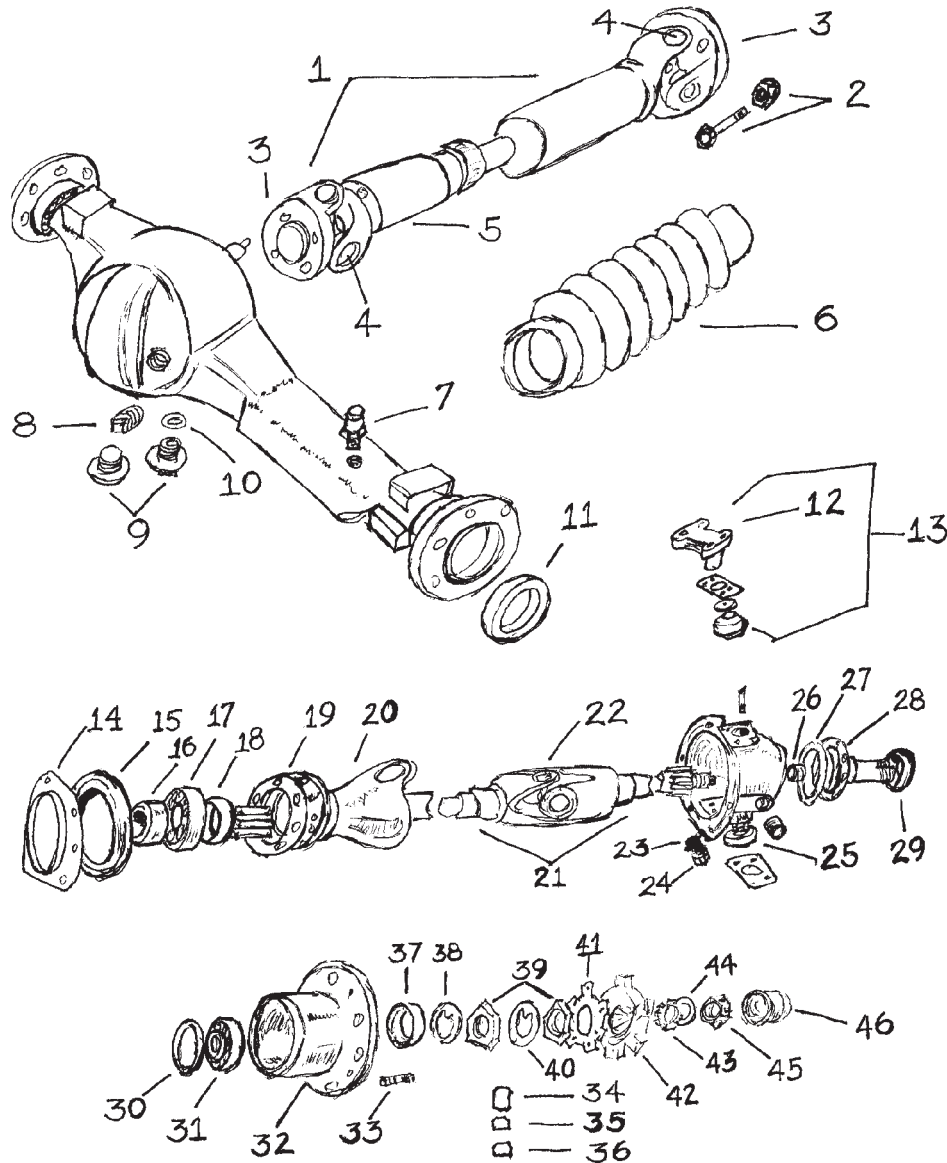
Fax 802-885-6662

### MISCELLANEOUS

- 109" Military Shock Absorbers (Front) .....
- 109" Military Shock Absorbers (Rear) .....

\* All springs supplied with bushings

**FRONT END**

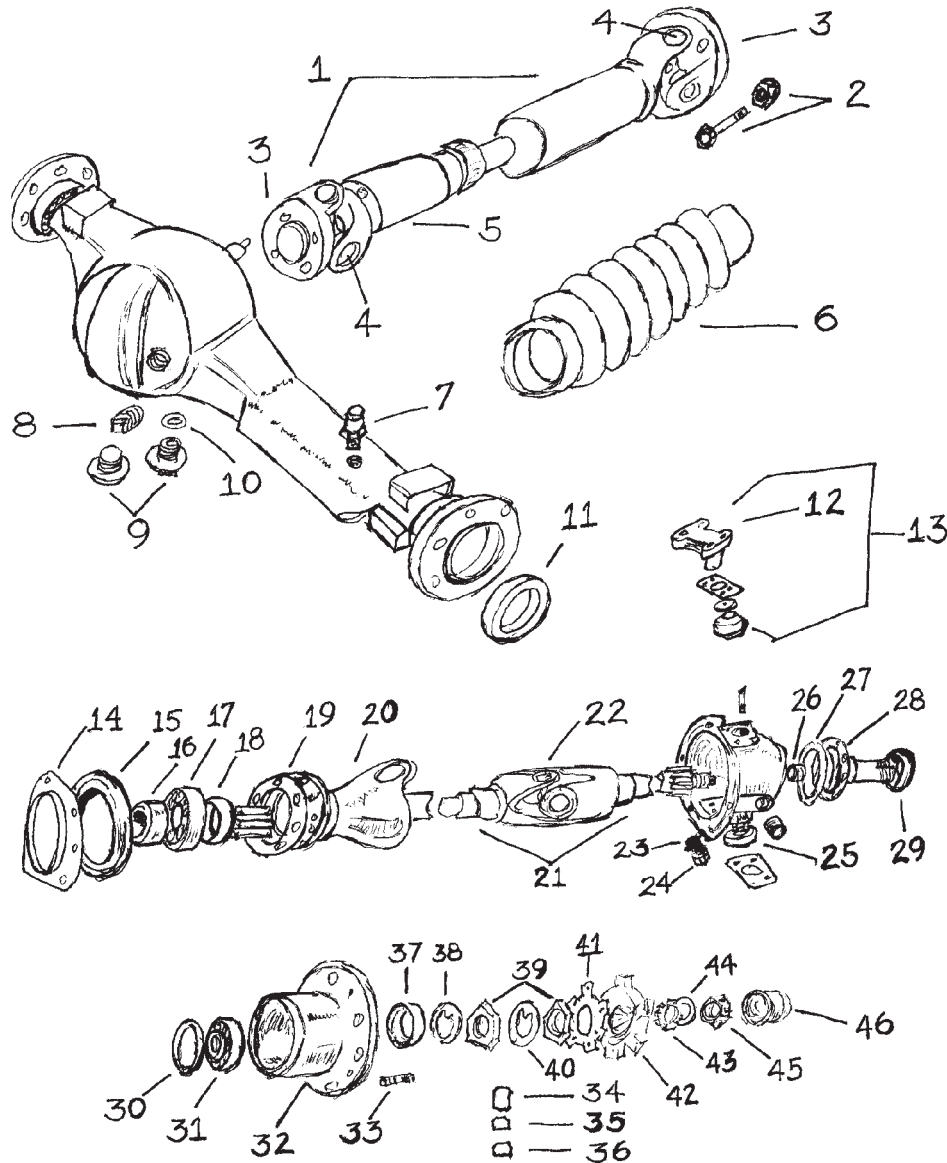


<u>Reference</u>	<u>Description</u>	<u>Part No.</u>
1.	Drive Shaft Assembly (Comes with Late Type Universal Joint) . . .	553000
2.	Driveshaft Fixing Bolt . . . . .	509045
-	Nut for above . . . . .	509751
3.	Flange - Large (For use with U-Joint 541858) . . . . .	600656
-	Flange - Small (For use with U-Joint 043023) . . . . .	262469
4.	Universal Joint (Late type 3 7/32" across) . . . . .	541858
-	Universal Joint (Early type 2 5/16" across) . . . . .	043023
5.	Splined Stub Shaft (Uses 043023 U-Joint) . . . . .	262468
-	Splined Stub Shaft (Uses 541858 U-Joint) . . . . .	008407
6.	Boot . . . . .	276484
7.	Axle Breather . . . . .	515845
8.	Plug . . . . .	003294
9.	Plug . . . . . (Suffix A-G)	235592
-	All others . . . . .	540870
10.	Gasket . . . . .	515599
11.	Oil Seal . . . . .	217400
12.	Swivel Pin (One Piece Type) . . . . .	576583
-	Swivel Pin Bushing . . . . .	539742
-	Swivel Pin Washer . . . . .	528702
13.	Complete Swivel Pin Kit . . . . .	
	Does both sides, Includes Shims, Bushings & 2 Piece Type Pin . . .	532268
14.	Retainer for Oil Seal . . . . .	235968
15.	Swivel Oil Seal . . . . .	GHS1003
16.	Retaining Collar for Bearing . . . . .	90/217398
17.	Bearing for Half-Shaft . . . . .	244150
18.	Distance Piece for Bearing . . . . .	244151
19.	Gasket for Housing (Swivel Ball to Axle Housing) . . . . .	GFG107
20.	Swivel Ball . . . . .	234789
21.	Halfshaft Complete RH . . . . .	269265
-	Halfshaft Complete LH . . . . .	269266
22.	Universal Joint for Halfshaft . . . . .	043023
23.	O-Ring for Drain Plug . . . . .	230511
24.	Drain Plug . . . . .	236070
25.	Bearing for Swivel Pin Lower . . . . .	217268
-	O-Ring for Lower Steering Arm . . . . .	531433

Continued.....



## FRONT END (Continued)

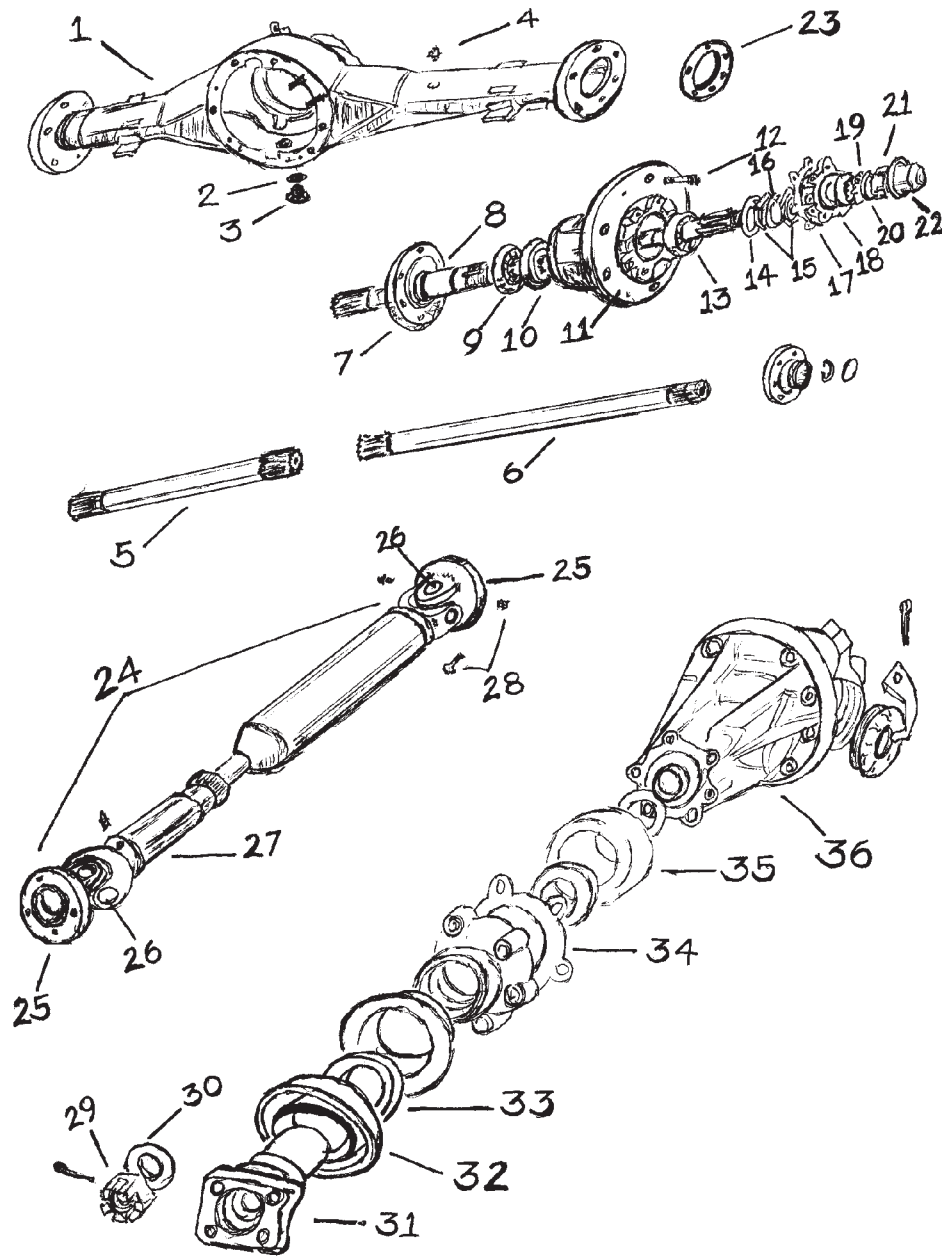


<u>Reference</u>	<u>Description</u>	<u>Part No.</u>
26.	Bushing for Driving Shaft (Early Stub Axles Only)	.217354
27.	Gasket (Stub Axle to Swivel Housing)	.GFG108
28.	Stub Axle	.599826
29.	Distance Piece for Hub Seal	.599698
30.	Oil Seal for Inner Bearing	.239422
31.	Inner Wheel Bearing	.GHB162
32.	Front Hub	(Series IIA) .561889
-	Front Hub	(Series III) .576844
33.	Stud for Lugnut (Threaded)	(Series IIA) .561590
-	Stud for Lugnut (Press in)	(Series IIA) .561886
-	Stud for Lugnut (Press in)	(Series III) .576825
34.	Lug Nut (Double End)	(Early IIA) .217361
35.	Lug Nut Same ID as above	(Late IIA) .576103
36.	Lug Nut Larger ID, Same OD as above	(Series III) .90/577473
37.	Outer Wheel Bearing	.GHB163
38.	Key Washer	.217352
39.	Nut	.90/217355
40.	Locker	.217353
41.	Gasket	.231505
42.	Drive Flange	.571235
-	Drive Flange Bolt	.215331
43.	Felt Washer	.501412
44.	Plain Washer	.571922
45.	Slotted Nut	.003259
46.	Hub Cap	.219098

### MISCELLANEOUS

- Gaiter Kit for Swivel Ball . . . . .GLR301
- Differential Pinion Oil Seal (F & R are the same) . . . . .217507
- Differential Housing Gasket (F & R are the same) . . . . .007316
- Hub Nut Socket Tool . . . . .LRA039





**REAR END**

Reference	Description	Part No.
1.	Rear Axle Housing 88"	622284
-	Rear Axle Housing 109"	591544
2.	Drain Plug O-Ring	515599
3.	Drain Plug	235592
4.	Breather for Axle Housing	515845
5.	Axle Shaft RH	(short) 591378
6.	Axle Shaft LH	(long) 591379
7.	Rear Stub Axle	599828
8.	Distance Sleeve	599698
9.	Oil Seal for Inner Bearing	239422
10.	Inner Hub Bearing	GHB162
11.	Rear Hub Assembly	Series IIA 561889
-	Rear Hub Assembly	Series III 576844
12.	Stud for Lug Nut (Threaded)	Series IIA 561590
-	Stud for Lug Nut (Press In)	Series IIA 561886
-	Stud for Lug Nut (Press In)	Series III 576825
13.	Outer Hub Bearing	GHB163
14.	Key Washer	217352
15.	Nut Locking Wheel Bearing	90/217355
16.	Locker	217353
17.	Gasket for Drive Flange	231505
18.	Drive Flange	571235
19.	Felt Washer	501412
20.	Plain Washer	571922
21.	Slotted Nut	003259
22.	Hub Cap	219098
23.	Gasket (Stub Axle to Housing)	GFG103
24.	Drive Shaft Assembly 88"	553001
-	Drive Shaft Assembly 109" 4 Cylinder	553002
25.	Flange (For use with Large U-joint)	600658
-	Flange (For use with Small U-joint)	262469
26.	Universal Joint (Late Type 3 7/32" Across)	541858
-	Universal Joint (Early Type 2 15/16" Across)	043023
27.	Splined Stub Shaft (Use 043023 U-Joint)	262468
-	Splined Stub Shaft (Use 541858 U-Joint)	008407
28.	Driveshaft Fixing Bolt	509045
-	Nut for Above	509751
29.	Nut	003259
30.	Washer	513454
31.	Drive Flange	236632
32.	Mudshield	236072
33.	Pinion Oil Seal (F & R are the same)	217507
34.	Gasket for Retainer	553412
35.	Bearing	(Suffix A) 219550
-	Bearing	(Suffix B on) 539707
36.	Differential Assembly Complete (F & R are the same)	594484*

802-885-6660



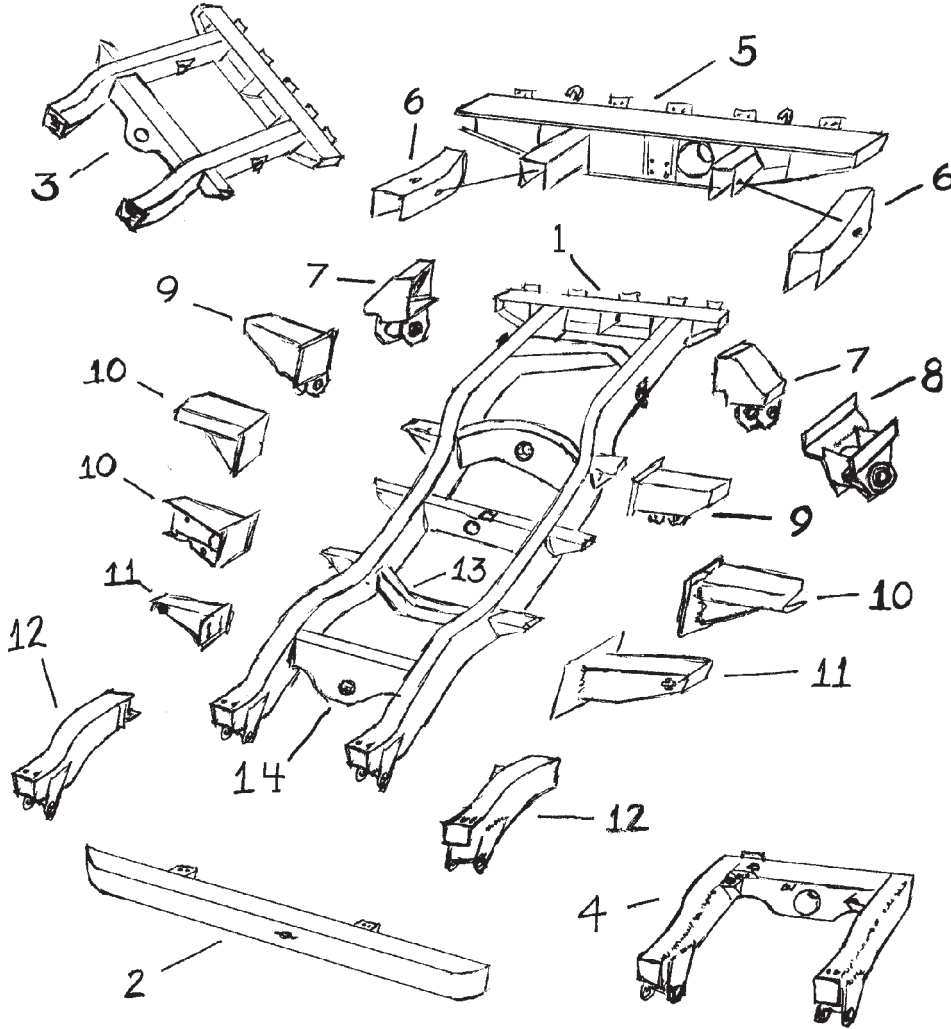
Fax 802-885-6662

**MISCELLANEOUS**

-	Gasket for Differential Assembly (F & R are the same)	007316
---	---	--------

\*Rebuilt Unit, Core required

**CHASSIS COMPONENTS**



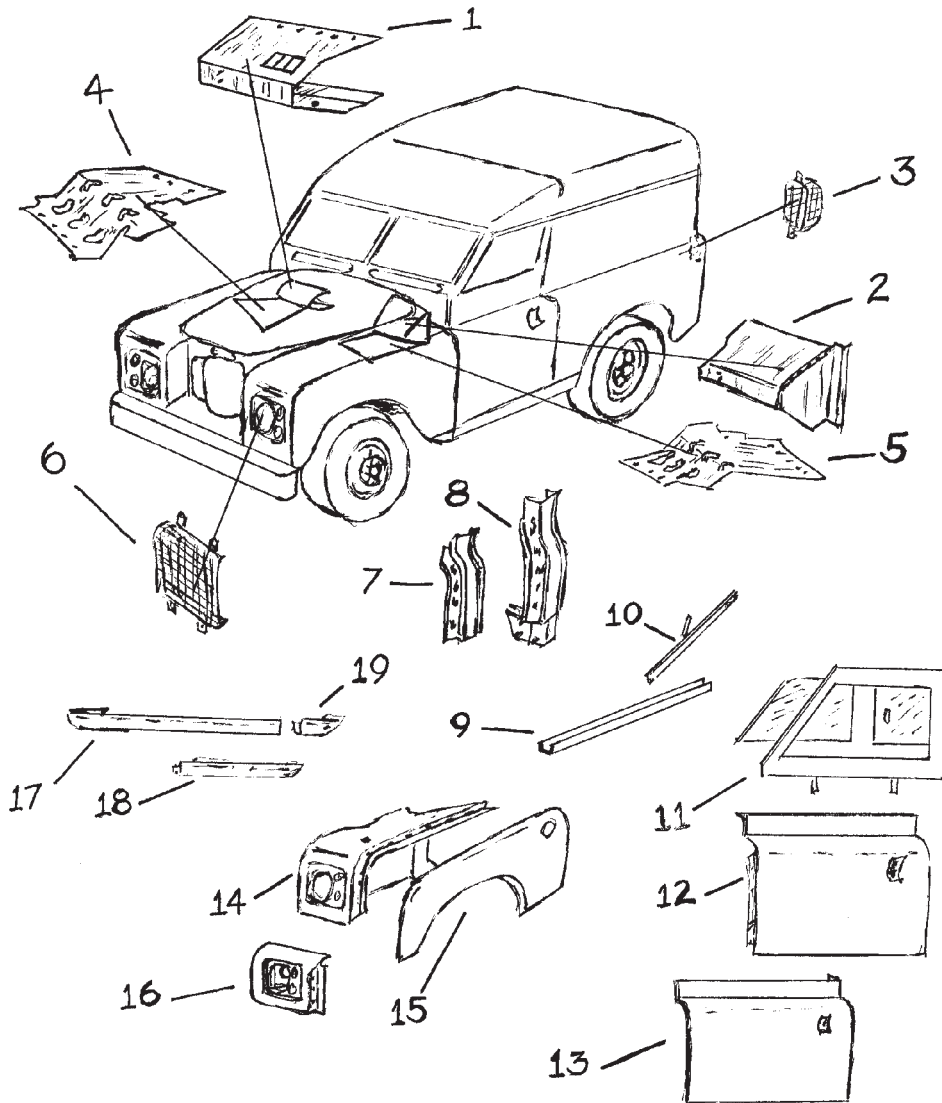
<u>Reference</u>	<u>Description</u>	<u>Part No.</u>
1.	Complete Galvanized Frame 88"	.LRC1
-	Complete Galvanized Frame 109"	.LRC2
2.	Front Galvanized Bumper	.564704
3.	Rear 1/2 Frame 88" only	.NRC0236.5
4.	Front Frame Horn and Cross Member Assembly	.LRC59
-	(Left hand or Right hand drive)	
5.	Rear Cross-Member with Extensions	.NRC0236
6.	Rear Frame Extensions	.LRC29
7.	Rear Spring Rear Perch 109" only	.LRC8A
8.	Rear Spring Hanger 88" only	.LRC44
9.	Rear Spring Front Perch 109" only	.LRC8
10.	Fuel Tank Outriggers (Depending on Fuel Tank Location)	.LRC7R
-	(LH Rear or RH Front)	
-	Fuel Tank Outriggers (Depending on Fuel Tank Location)	.LRC7L
-	(RH Rear or LH Front)	
11.	Front Firewall Outrigger	.LRC6
12.	Front Frame Horn (Specify LH or RH)	.LRC57
13.	Transmission Cross-Member 88"	.218453
-	Transmission Cross-Member 109" 4 Cylinder	.592592
14.	Front Crossmember	.577414

**MISCELLANEOUS**

-	Suspension Bump Stops	.....(4 needed)	.241380
-	Axle Rebound Strap 88"		.274469
-	Axle Rebound Strap 109"		.278698

802-885-6660 **D.A.P.** Enterprises Inc. Fax 802-885-6662

**BODY PARTS**



Reference	Description	Part No
1.	Footwell Assembly - Passenger Side . .(LHD)	.LRB006
2.	Footwell Assembly - Drivers Side . .(LHD)	.LRB005
3.	Rear Galvanized Lamp Guard	.GLR357W*
4.	Fender Splash Shield RF . . . . .(IIA)	.330444
-	Fender Splash Shield RF . . . . .(III)	.MRC6083
5.	Fender Splash Shield LF . . . . .(IIA)	.330447
-	Fender Splash Shield LF . . . . .(III)	.MRC6084
-	Steering Box Cover	.330460
6.	Front Lamp Guard (For Vehicles with Lights in Fender)	.345985
7.	Firewall Stem Repair Section W/O Bracket	.LRB023**
8.	Firewall Stem Repair Section With Bracket	.LRB024**
9.	Repair Section for Door Frame	.LRB015
10.	Felt Window Tracks for Sliding Windows, All Models:	
-	Front Door TOP (2)	.336451
-	Front Door LOWER (2)	.347488
-	Front Door VERTICAL (2)	.336454
-	Rear Sliding Windows TOP (4)	.348393
-	Rear Sliding Windows LOWER (4)	.348396
-	Rear Sliding Windows VERTICAL (4)	.336454
-	109" Sta/Wgn Rear Door TOP (2)	.347489
-	109" Sta/Wgn Rear Door LOWER (2)	.347489
-	109" Sta/Wgn Rear Door VERTICAL (2)	.336454
11.	Door Top RH (No Glass or Tracks)	.320853
-	Door Top LH (No Glass or Tracks)	.320854
-	Door Top RH (Complete with Glass & Tracks)	.330157
-	Door Top LH (Complete with Glass & Tracks)	.330158

Continued.....

**MISCELLANEOUS**

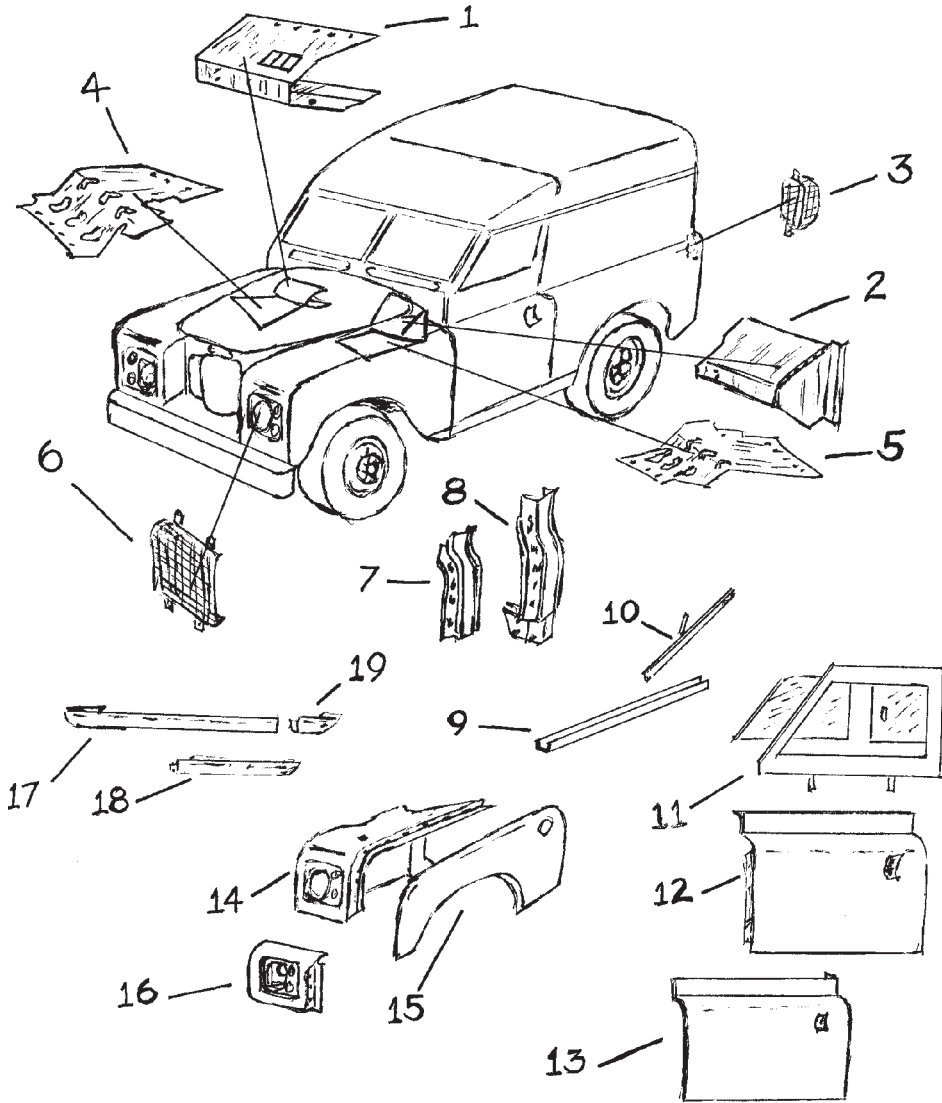
-	Windshield Frame Seal, Upper & Lower	.395430
-	Windshield Glass	.345421
-	Hood Bumper on Firewall	.332647
-	Bonnet Welting Strip	.300824
-	Hood Hinge Bushings (Series III)	.346849

\* Vehicles with Lights in Grille can use this Part# to fit Front Wing Lights.

\*\* Specify LH or RH with these items.

**BODY PARTS**

(Continued)



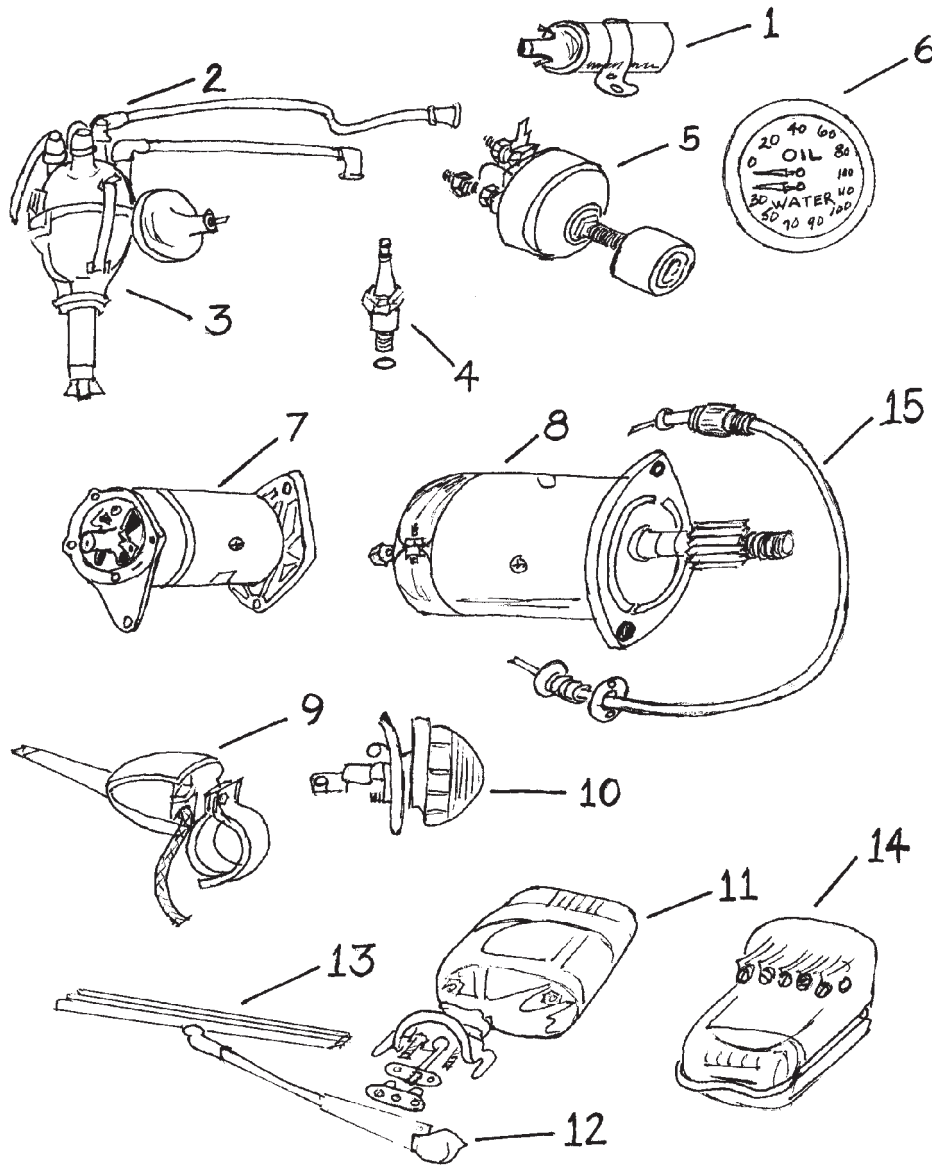
<u>Reference</u>	<u>Description</u>	<u>Part No</u>
12.	Door Bottom (Specify LH or RH)	LRB040
13.	Door Skin Only (Specify LH or RH)	LRB003
-	Rear/Side Door Skin	LRB004
ALL ITEMS IN #14 ARE LESS OUTER PANEL		
14.	Old Style Fender (Lights in Grille) . . . . .RH	LRB030
-	Old Style Fender (Lights in Grille) . . . . .LH	LRB031
-	Late Style Fender (Lights in Fender) . .IIA . .RH	LRB032
-	Late Style Fender (Lights in Fender) . .IIA . .LH	LRB033
-	Late Style Fender (Lights in Fender) . .III . .RH	LRB038
-	Late Style Fender (Lights in Fender) . .III . .LH	LRB039
-	Plug for Redundant Hole	338015
15.	Outer Wing Panel (No Heater Hole) . . . . .RH	LRB034
-	Outer Wing Panel (With Heater Hole) . . . . .RH	LRB035
-	Outer Wing Panel (No Heater Hole) . . . . .LH	LRB036
-	Outer Wing Panel (With Heater Hole) . . . . .LH	LRB037
16.	Front Fender Panel (Headlights in Fender) . .RH	345623
-	Front Fender Panel (Headlights in Fender) . .LH	345624
17.	Sill Panel-Front (Narrow Type) ALL MODELS RH	337942
-	Sill Panel-Front (Narrow Type) ALL MODELS LH	337943
18.	Rear Sill Panel (Narrow Type) 88" . . . . .RH	337938
-	Rear Sill Panel (Narrow Type) 88" . . . . .LH	337939
19.	Rear Sill Panel (Narrow Type) Sta/Wgn 109" .RH	337710
-	Rear Sill Panel (Narrow Type) Sta/Wgn 109" .LH	337711

**MISCELLANEOUS**

-	Headlight Bucket (Fiberglass)	605073
-	Door Hinge Pin Kit - (Fits all IIA Doors and III Rear Doors)	330953
-	Flyscreens for Vents	395185
-	Vent Weatherstrip	330621
-	Rear Galvanized Body Corner Angle . . . . .RH	333253
-	Rear Galvanized Body Corner Angle . . . . .LH	333254

802-885-6660 **D.A.P.** Enterprises Inc. Fax 802-885-6662

**ELECTRICAL**



<u>Reference</u>	<u>Description</u>	<u>Part No.</u>
1.	Ignition Coil (12V) . . . . .	<b>LRE101</b>
2.	Ignition Wire Set (4 Cylinder) . . . . .	<b>GHT173</b>
3.	Lucas Replacement Distributor (Vacuum Advance Type) . . . . .	<b>LRE41630*</b>
-	Distributor Cap for Replacement Type . . . . .	<b>LRI002</b>
-	Rotor for Replacement Type . . . . .	<b>LRI005</b>
-	Points for Replacement Type . . . . .	<b>LRI008</b>
-	Condenser for Replacement Type . . . . .	<b>LRI007</b>
-	Distributor Cap for Original Type Distributor . . . . .	<b>LRI003</b>
-	Rotor for Original Type Distributor . . . . .	<b>LRI004</b>
-	Points and Condenser Set for Original Type Distributor . . . . .	<b>LRI006</b>
-	Distributor Vacuum Advance Unit -Original Type . . . . .	<b>LRE010</b>
4.	Spark Plug (4 Cylinder) . . . . .	<b>LRI001</b>
5.	Starter Switch (Old Style) . . . . .	<b>530034</b>
-	Button for Old Style Starter Switch . . . . .	<b>605280</b>
-	Early Ignition Switch, integrated with Headlight Switch . . . . .	<b>90/519775</b>
-	Ignition Switch, Series IIA & III . . . . .	<b>551508</b>
-	Starter Solenoid (Later Type) . . . . .	<b>RTC0461</b>
6.	Dual Gauge . . . . .	<b>BA134</b>
-	Flexible Steel Line for Above . . . . .	<b>279785</b>
7.	Dynamo (C40) . . . . .	<b>LRE4012</b>
-	Brushes for Above Dynamo . . . . .	<b>LRE4012B</b>
-	Alternator (Early 1972 Type) . . . . .	<b>LRE1714</b>
-	Alternator (All Others) . . . . .	<b>LRE1614</b>
8.	Starter (Petrol) (4 & 6 Cylinder) . . . . .	<b>LRE2119</b>
-	Starter (Diesel) . . . . .	<b>GEU430</b>
-	Starter Armature . . . . .	<b>LRE013</b>
9.	Turn Signal Switch IIA . . . . .	<b>90/519866</b>
-	Turn Signal Switch III . . . . .	<b>575383</b>

Continued....

\* The original distributor has a cut out in the cap for the Side mounted terminal wire. The replacement distributor does not have a cut out in the cap, the condenser wire comes out of the distributor body through a small boot.

Some replacement engines, both five bearing and three bearing, utilize ducillier distributors. Points etc. need to be ordered by distributor and/or engine number.



**ELECTRICAL**  
**(continued)**

<u>Reference</u>	<u>Description</u>	<u>Part No.</u>
10.	Front Parking Lamp Assy Late IIA & III (Clear Plastic Lens) . . . . .	.589404
-	Turn Signal Lamp Assembly (Amber) . . . . .	.589811**
-	Stop/Tail Lamp Assembly (Red) . . . . .	.589419***
11.	Wiper Motor (Old Style) . . . . .	.LRE012
-	Wiper Motor (Late IIA & Series III) . . . . .	.LRE75664
-	Washer Nozzle . . . . .	.348641
-	Wiper Motor 109" (2.6) . . . . .	.LRE75801
12.	Replacement Wiper Arm (Hook Type End) . . . . .	.LRA026
13.	Wiper Blade Fits Hook Type Arms . . . . .	.LRA027
-	Wiper Blade for Straight Push on Arms . . . . .	.LRA028
14.	Voltage Regulator (4 Cylinder) . . . . .	.LRE37290
-	Voltage Regulator (6 Cylinder) . . . . .	.LRE37576
15.	Speedometer Cable IIA . . . . .	.GSD133
-	Speedometer Cable III . . . . .	.GSD314
-	Speedometer Cable Screws . . . . .	.078924

**MISCELLANEOUS**

- Fuse Box Cover, Series IIA . . . . . .505158
- Lucas Fuses . . . . . .LRE001
- Screw in Type Bulb for Dash . . . . . .LLB987
- Back up and Dome Lamp Bulb . . . . . .LLB270
- Dip Switch--Series IIA . . . . . .541602
- Horn 12V . . . . . .LRE011
- License Plate Lamp Assembly . . . . . .LRE003
- Heater Motors (Late IIA & III) . . . . . .LRE1202/03
- 3-Position Toggle Switch . . . . . .LRE014

\*\* Large amber (3") turn signal assembly is no longer manufactured. This lamp assembly looks identical but is smaller in diameter.

\*\*\* Series III Stop/Tail lamp and lens is no longer manufactured. This lamp assembly looks identical but is smaller in diameter.

